

**Beamline SIS-TA distances**

	not exact (+/- 1mm)				length difference to DMU-eff			
	MIRKO-QW	GICOSY*	DMU	DMU-eff	MIRKO-QW	GICOSY	DMU	DMU-eff
TE1QD11	666	666	600	666	0.000	0.000	-66.000	0.000
	984	984	1050	984	0.000	0.000	66.000	0.000
TE1QD12	666	666	600	666	0.000	0.000	-66.000	0.000
	409.494	409.5	467	415.4	-5.906	-5.900	51.600	0.000
TS1MU1 7.5°	2337.869	2337.869	2281.6	2318.8	19.040	19.040	-37.200	0.000
	1875.137	1875	1935	1882.4	-7.264	-7.400	52.600	0.000
TS1QD11	1068	1068	1000	1068	0.000	0.000	-68.000	0.000
	232	232	300	232	0.000	0.000	68.000	0.000
TS1QD12	1068	1068	1000	1068	0.000	0.000	-68.000	0.000
	366	339.8	399.82	345.82	20.180	-6.020	54.000	0.000
TS1MU2 7.5°	1471.570	1523.893	1471.1	1511.1	-39.480	12.843	-40.000	0.000
TS1ET5	1193	1162.6	1189	1169	24.000	-6.400	20.000	0.000
TS2ET2	1126	1126	1126	1126	0.000	0.000	0.000	0.000
<b>Sum (mid 1st quad)=</b>	<b>13130.1</b>	<b>13125.7</b>	<b>13119.5</b>	<b>13119.5</b>	<b>10.6</b>	<b>6.2</b>	<b>0.0</b>	<b>0.0</b>

= a bit to long

= not exact (+/- 1mm)

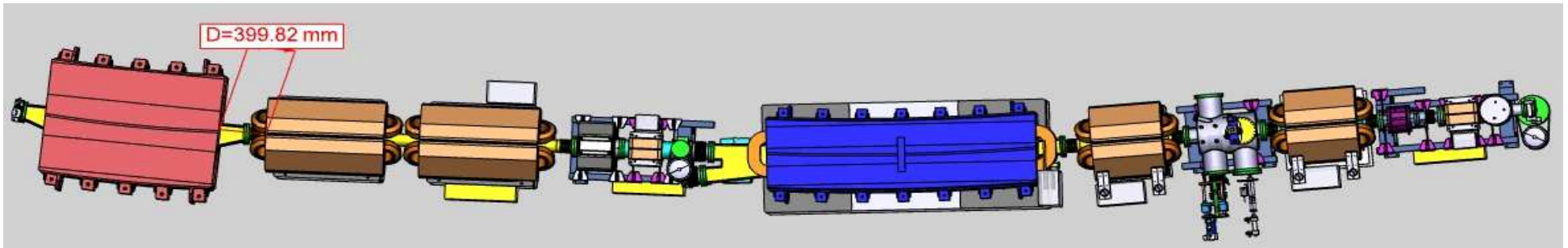
= L\_eff along path

Gap TS1MU1 =

74.4 mm (curved edge)

Gap TS1MU2 =

80 mm (straight edge)



[https://www.gsi.de/work/gesamtprojektleitung\\_fair/commons/engineering/3dviewstation\\_webviewer.htm](https://www.gsi.de/work/gesamtprojektleitung_fair/commons/engineering/3dviewstation_webviewer.htm)

Length TS1MU2 and distance before verified by direct measurement (Maßband H. Weick, 22.08.2019)