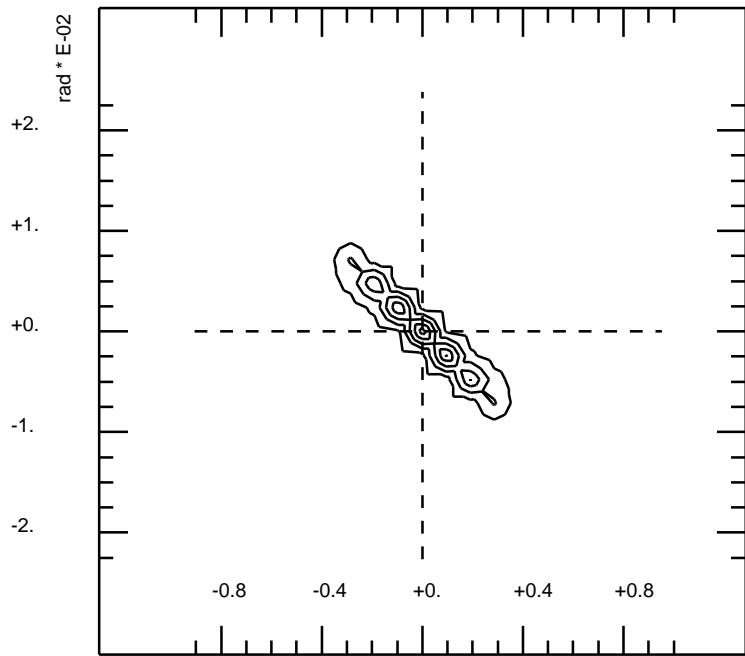


max. count: 946



max. count: 1747

m \* E-01

PHASESPACE PLOT OF (Xf,Af) AT 93.926 M

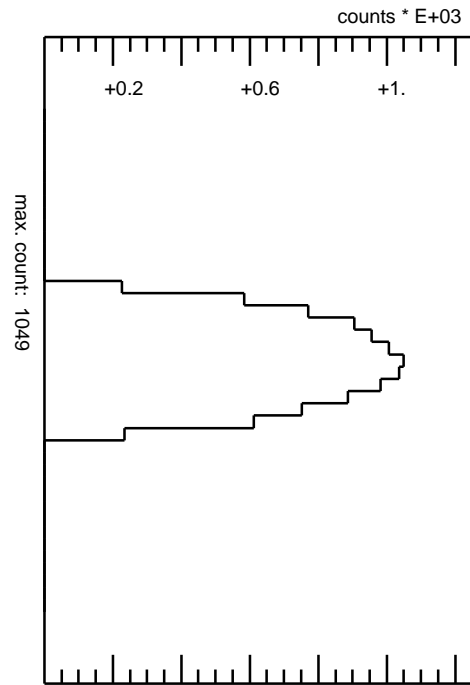
10000 PARTICLES STARTED  
10000 PARTICLES IN WINDOW

PARTICLES STARTED IN PHASESPACE

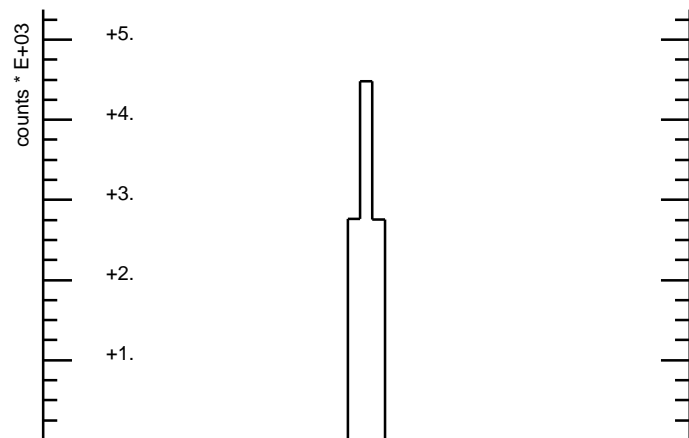
X = +- 0.00200000  
A = +- 0.00800000  
Y = +- 0.00200000  
B = +- 0.00800000  
G = + 0.00000000  
P = +- 0.01000000

NUMBER OF MASSES : 1  
NUMBER OF ENERGIES : 1

CALC MODE: SYSTEM MATRIX  
CALC ORDER: 1



max. count: 1049



max. count: 4480

PHASESPACE PLOT OF (Yf,Bf) AT 93.926 M

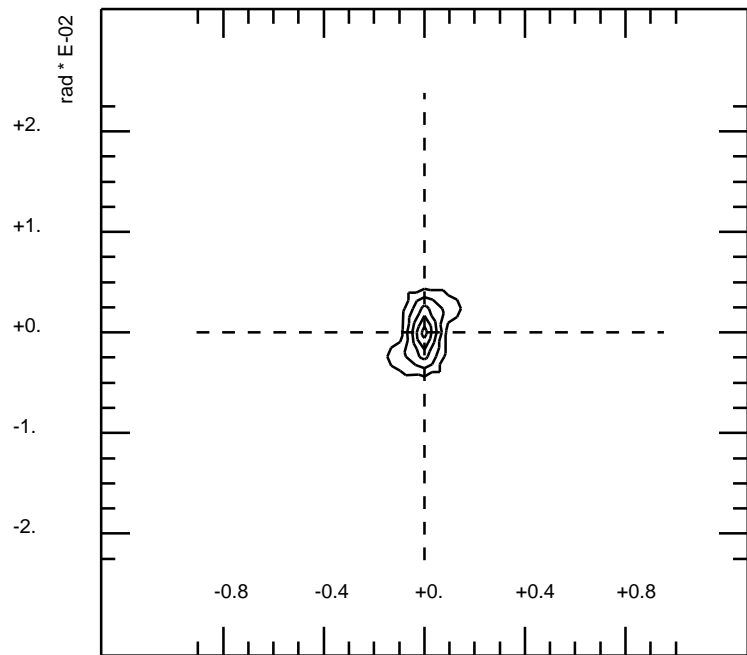
10000 PARTICLES STARTED  
10000 PARTICLES IN WINDOW

PARTICLES STARTED IN PHASESPACE

X = +- 0.00200000  
A = +- 0.00800000  
Y = +- 0.00200000  
B = +- 0.00800000  
G = + 0.00000000  
P = +- 0.01000000

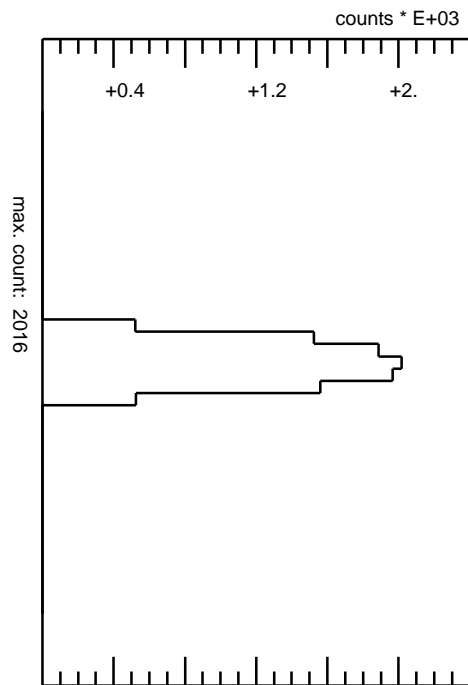
NUMBER OF MASSES : 1  
NUMBER OF ENERGIES : 1

CALC MODE: SYSTEM MATRIX  
CALC ORDER: 1

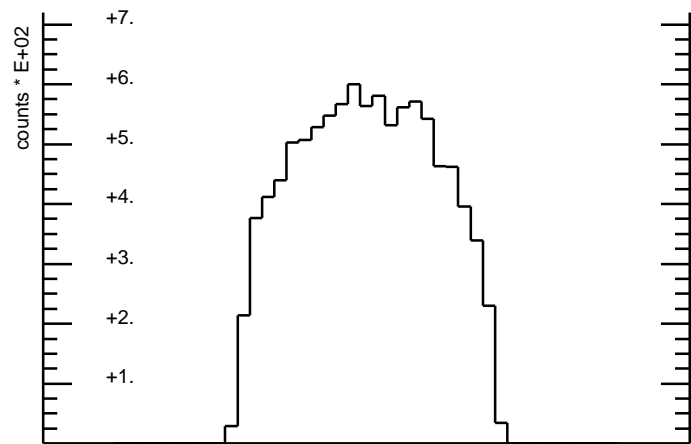


max. count: 3761

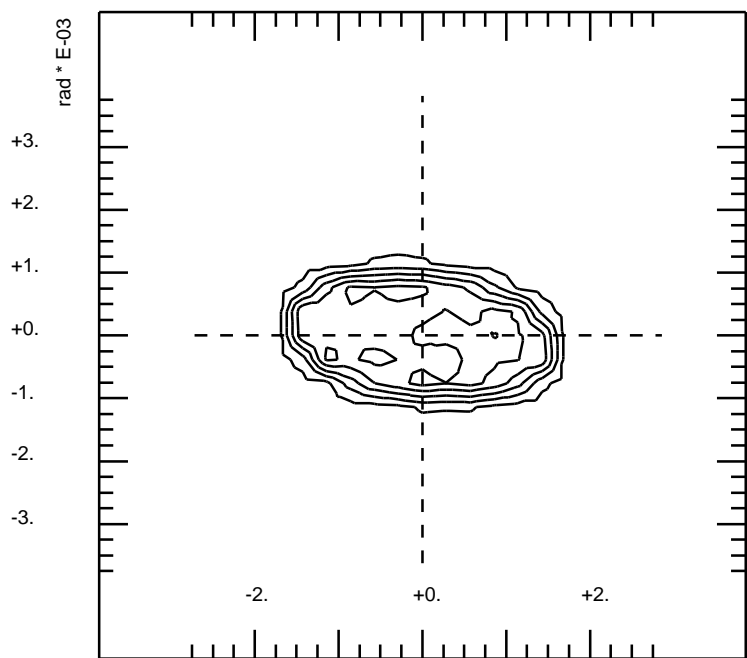
m \* E-01



max. count: 2016



max. count: 600



max. count: 240

m \* E-02

PHASESPACE PLOT OF (Xf,Af) AT 105.453 M

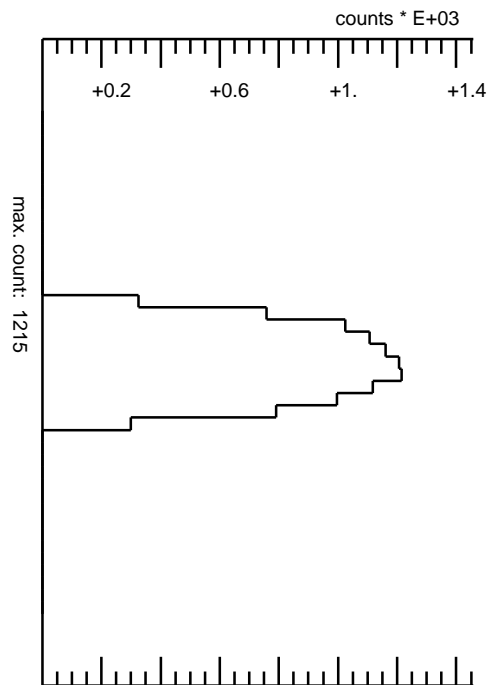
10000 PARTICLES STARTED  
10000 PARTICLES IN WINDOW

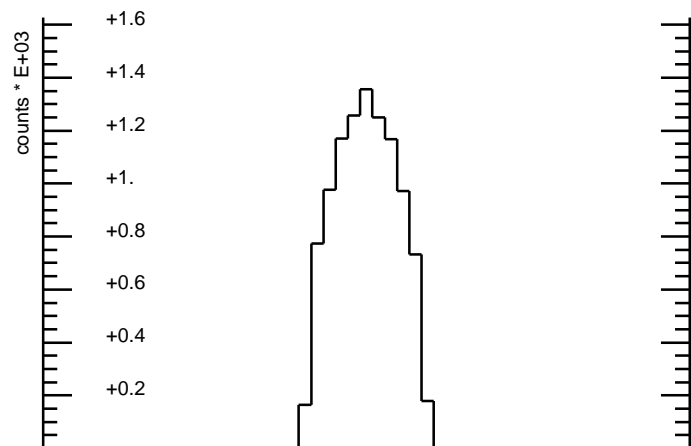
PARTICLES STARTED IN PHASESPACE

X = +- 0.00200000  
A = +- 0.00800000  
Y = +- 0.00200000  
B = +- 0.00800000  
G = + 0.00000000  
P = +- 0.01000000

NUMBER OF MASSES : 1  
NUMBER OF ENERGIES : 1

CALC MODE: SYSTEM MATRIX  
CALC ORDER: 1





max. count: 1356

PHASESPACE PLOT OF (Yf,Bf) AT 105.453 M

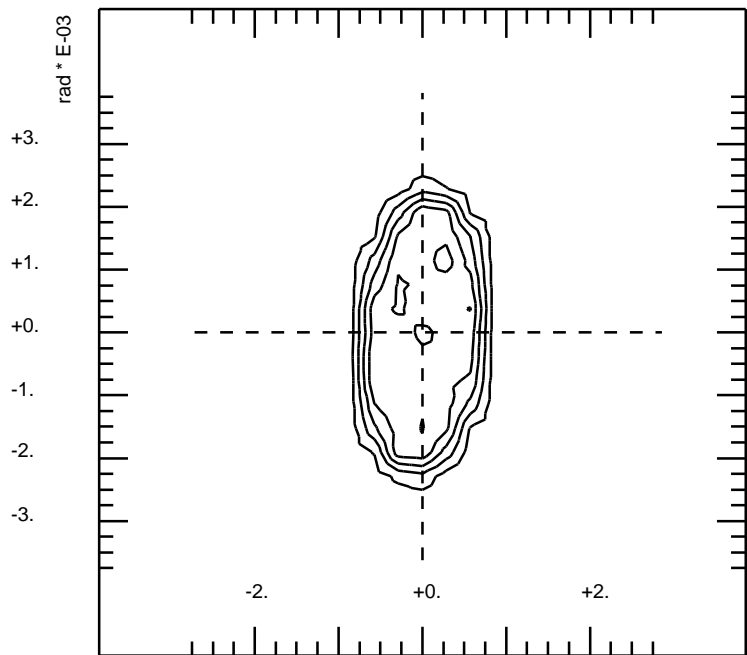
10000 PARTICLES STARTED  
10000 PARTICLES IN WINDOW

PARTICLES STARTED IN PHASESPACE

X = +- 0.00200000  
A = +- 0.00800000  
Y = +- 0.00200000  
B = +- 0.00800000  
G = + 0.00000000  
P = +- 0.01000000

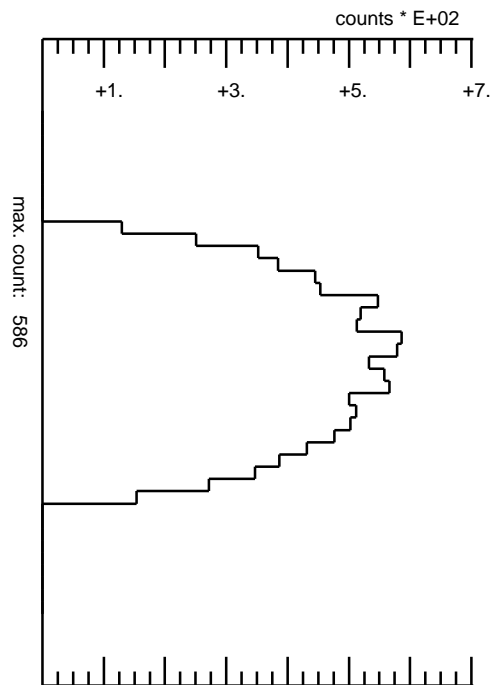
NUMBER OF MASSES : 1  
NUMBER OF ENERGIES : 1

CALC MODE: SYSTEM MATRIX  
CALC ORDER: 1

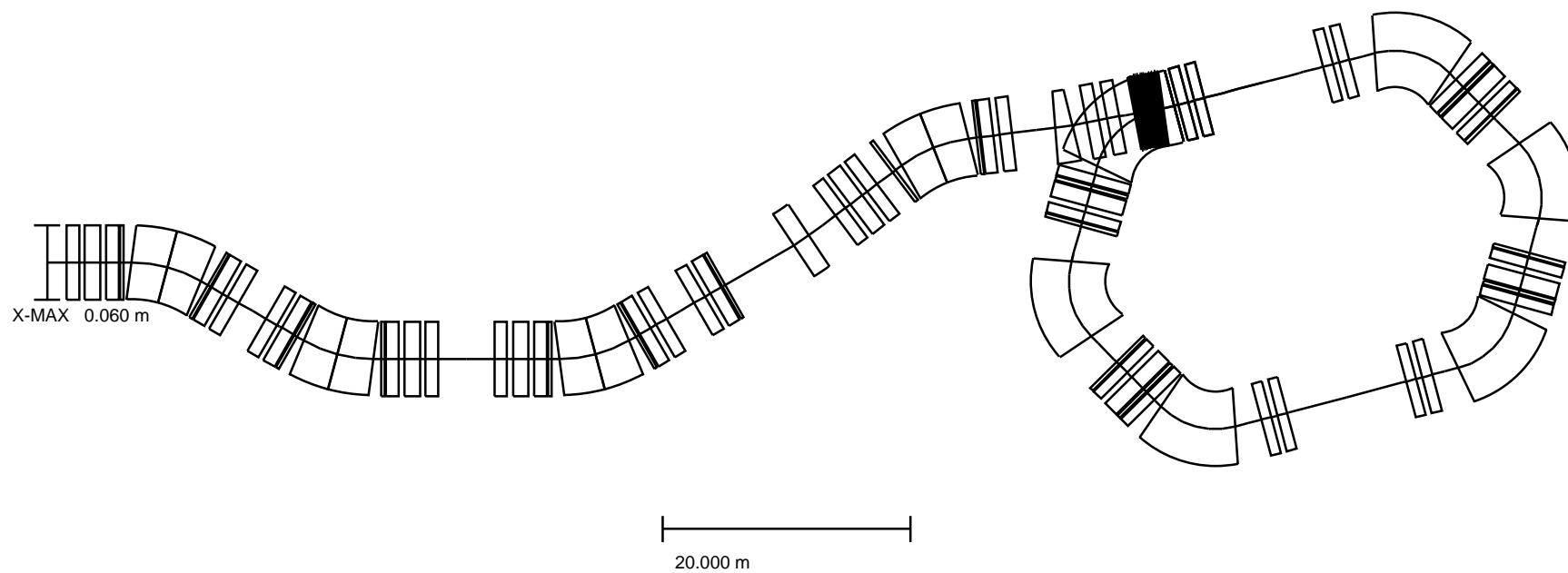


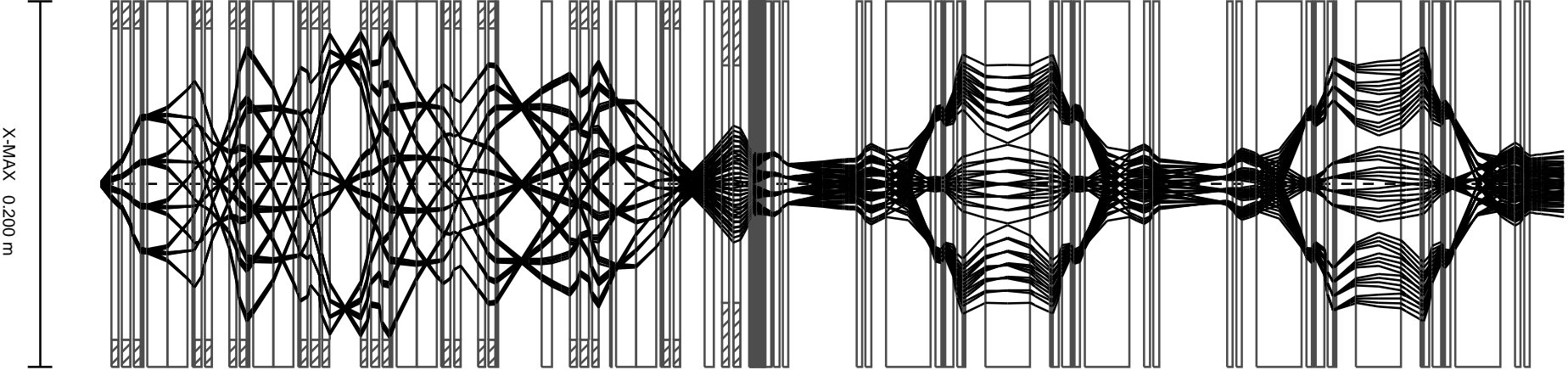
max. count: 255

m \* E-02

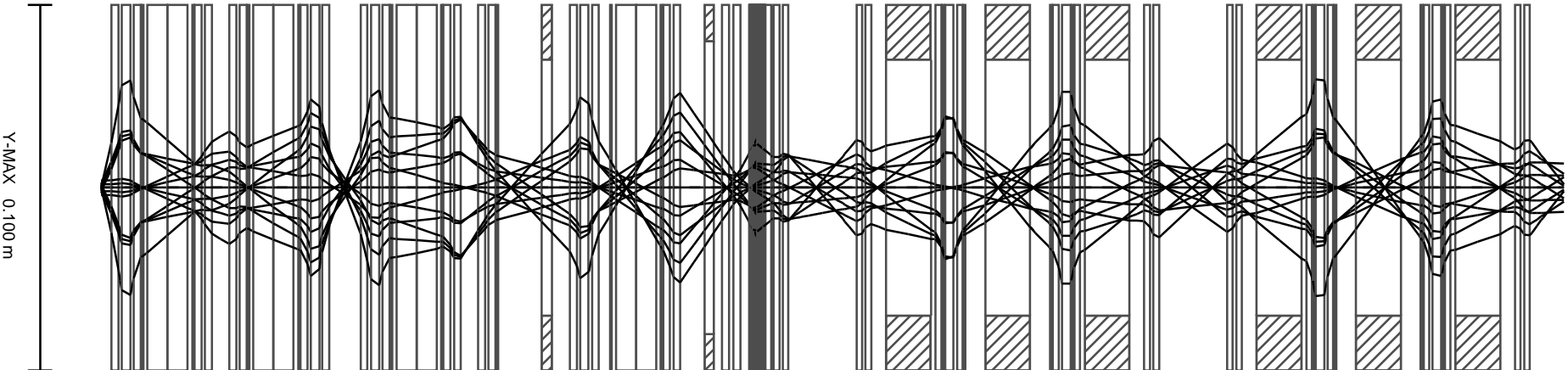


max. count: 586

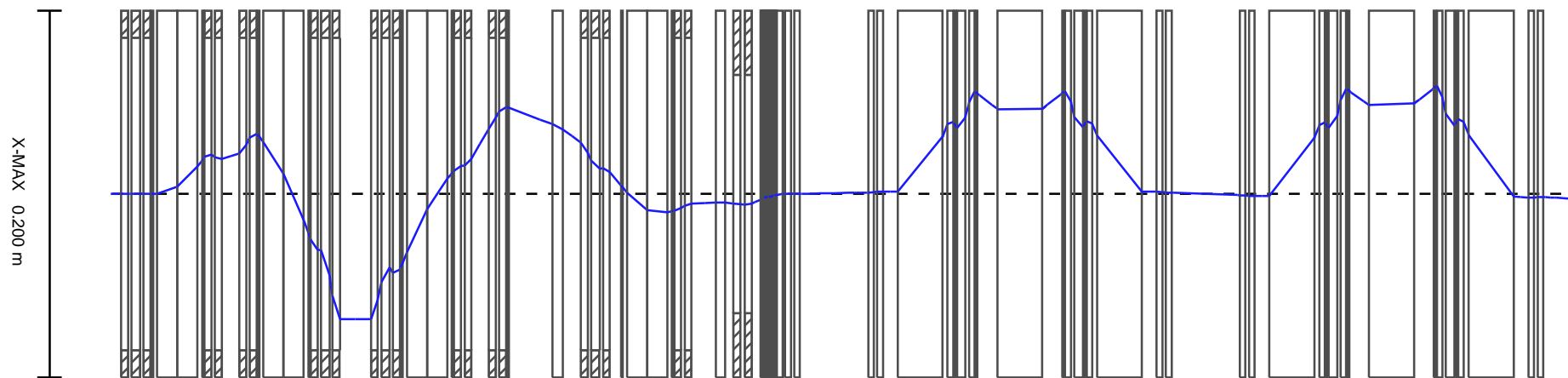




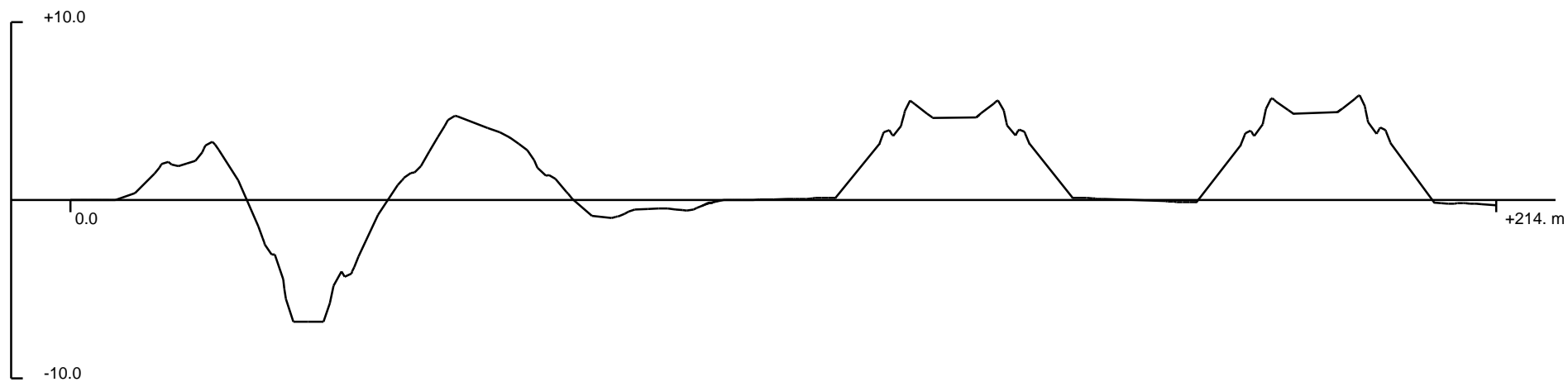
MAGNETIC SECTOR  
MAGNETIC SECTOR  
MAGNETIC SECTOR  
MAGNETIC SECTOR  
MAGNETIC SECTOR  
MAGNETIC SECTOR



20.000 m



MAGNETIC SECTOR  
MAGNETIC SECTOR  
MAGNETIC SECTOR  
MAGNETIC SECTOR  
MAGNETIC SECTOR  
MAGNETIC SECTOR



20.000 m

Expression: [X,D]

