

PHASESPACE PLOT OF (Xf,Af) AT 18.207 M

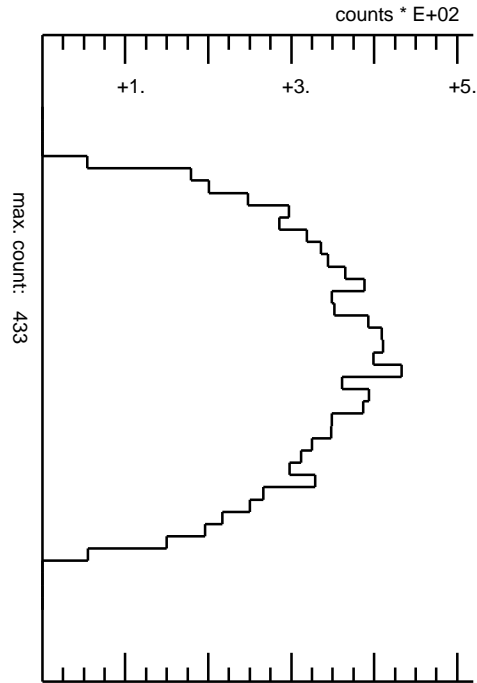
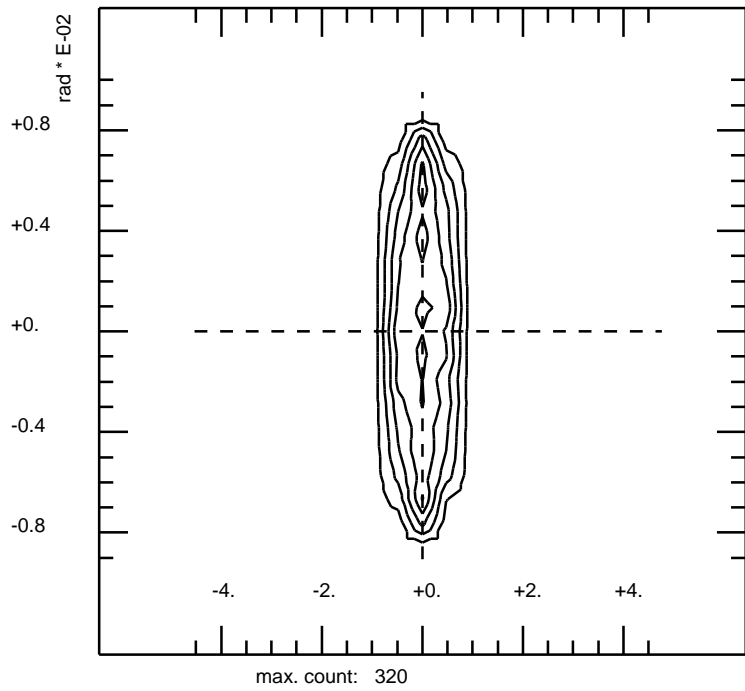
10000 PARTICLES STARTED
10000 PARTICLES IN WINDOW

PARTICLES STARTED IN PHASESPACE

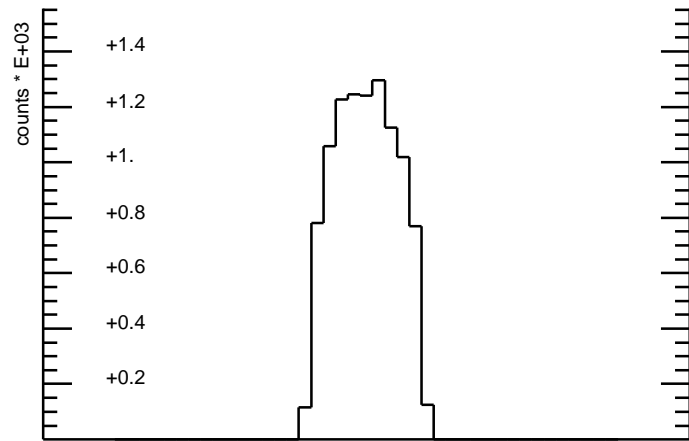
X = +- 0.00948641
A = +- 0.00052707
Y = +- 0.00564836
B = +- 0.00088521
G = + 0.00000000
P = +- 0.00100000

NUMBER OF MASSES : 1
NUMBER OF ENERGIES : 1

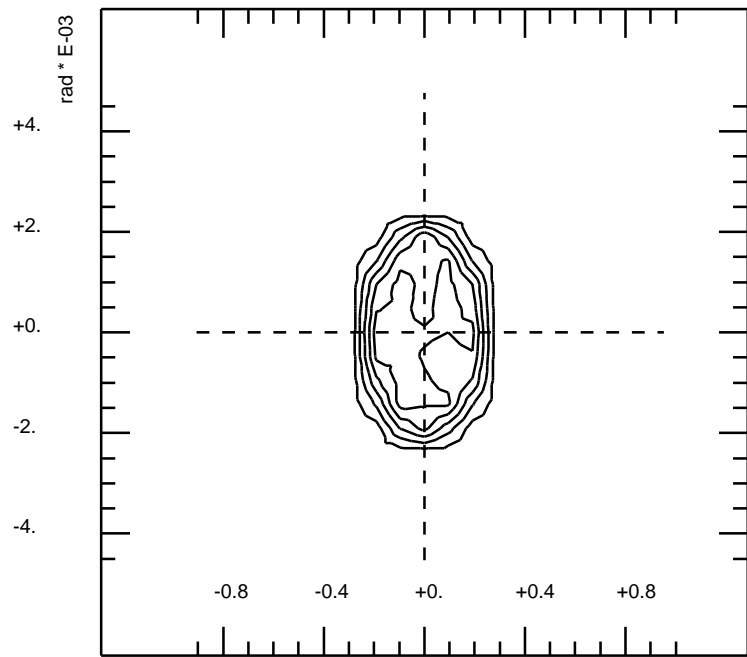
CALC MODE: SYSTEM MATRIX
CALC ORDER: 1



m * E-03



max. count: 1296



max. count: 311

m * E-02

PHASESPACE PLOT OF (Yf,Bf) AT 18.207 M

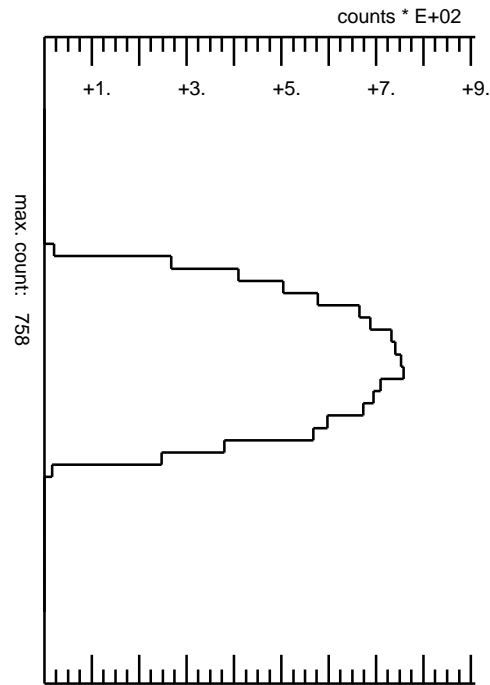
10000 PARTICLES STARTED
10000 PARTICLES IN WINDOW

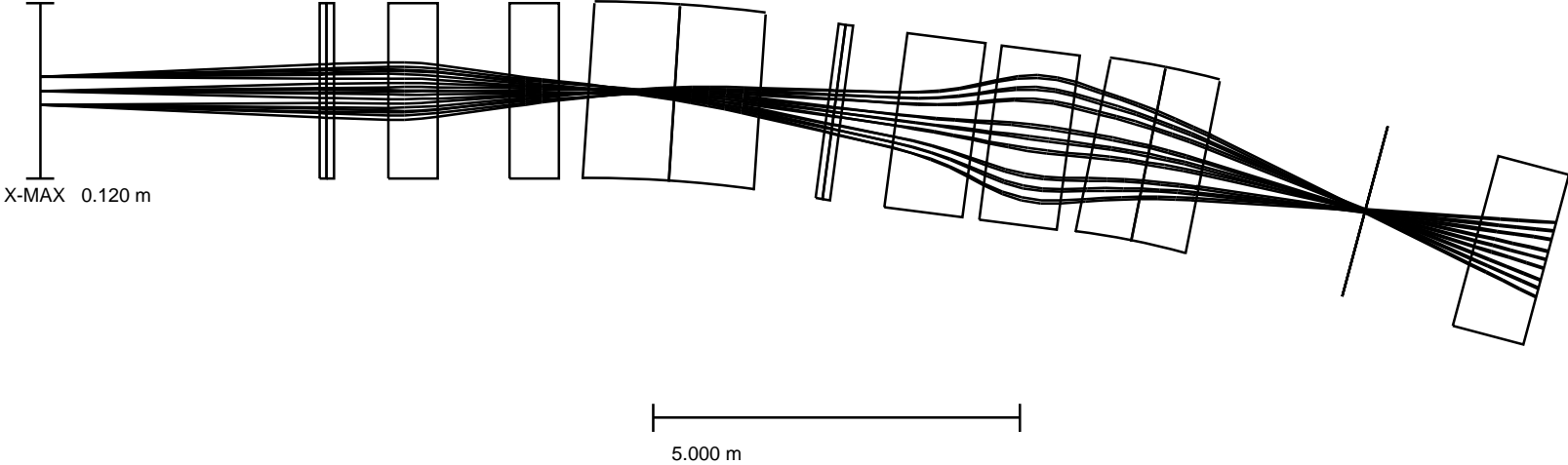
PARTICLES STARTED IN PHASESPACE

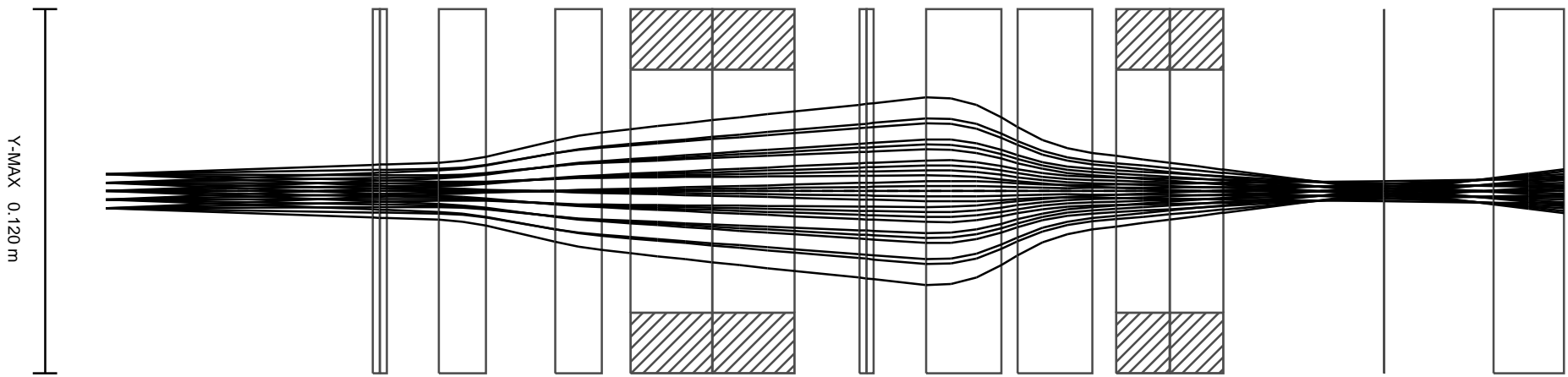
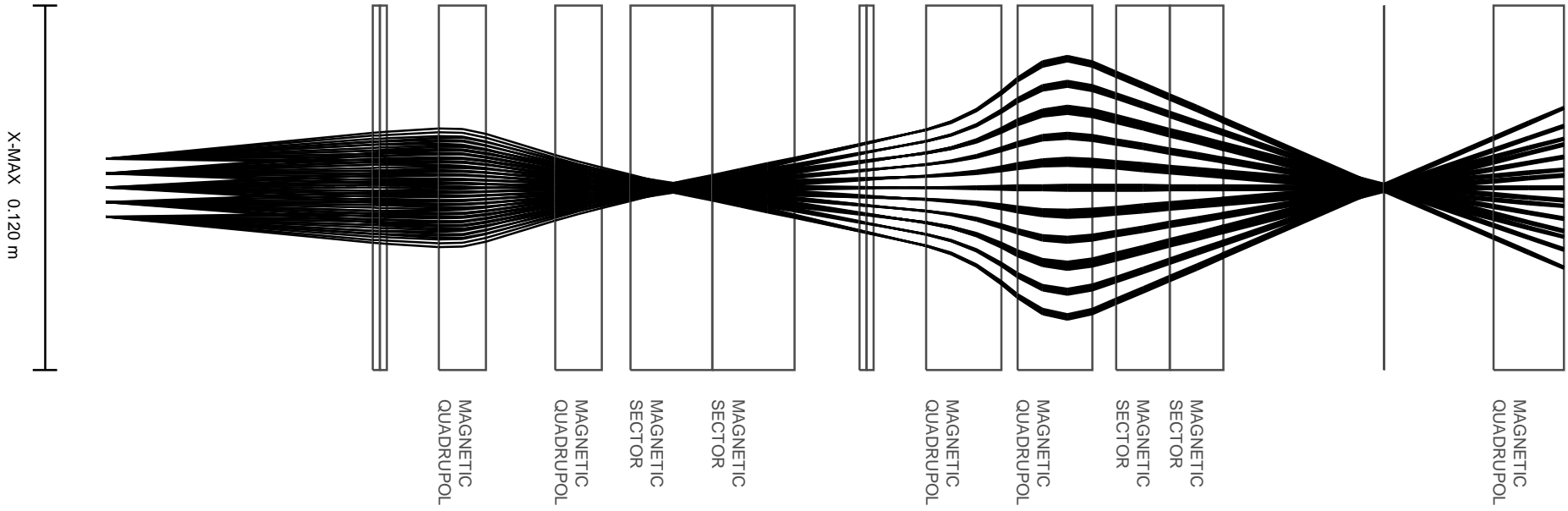
X = +- 0.00948641
A = +- 0.00052707
Y = +- 0.00564836
B = +- 0.00088521
G = + 0.00000000
P = +- 0.00100000

NUMBER OF MASSES : 1
NUMBER OF ENERGIES : 1

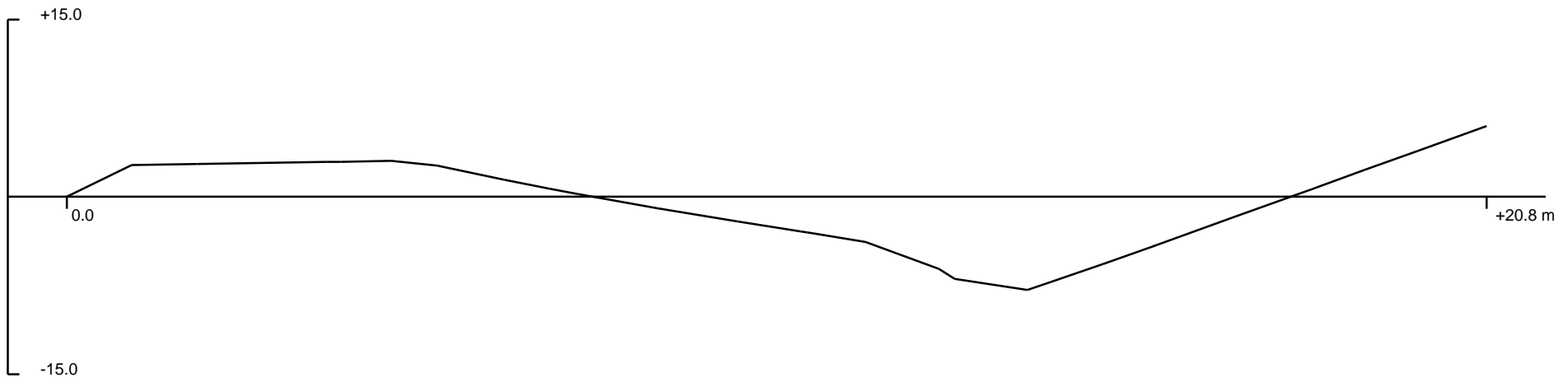
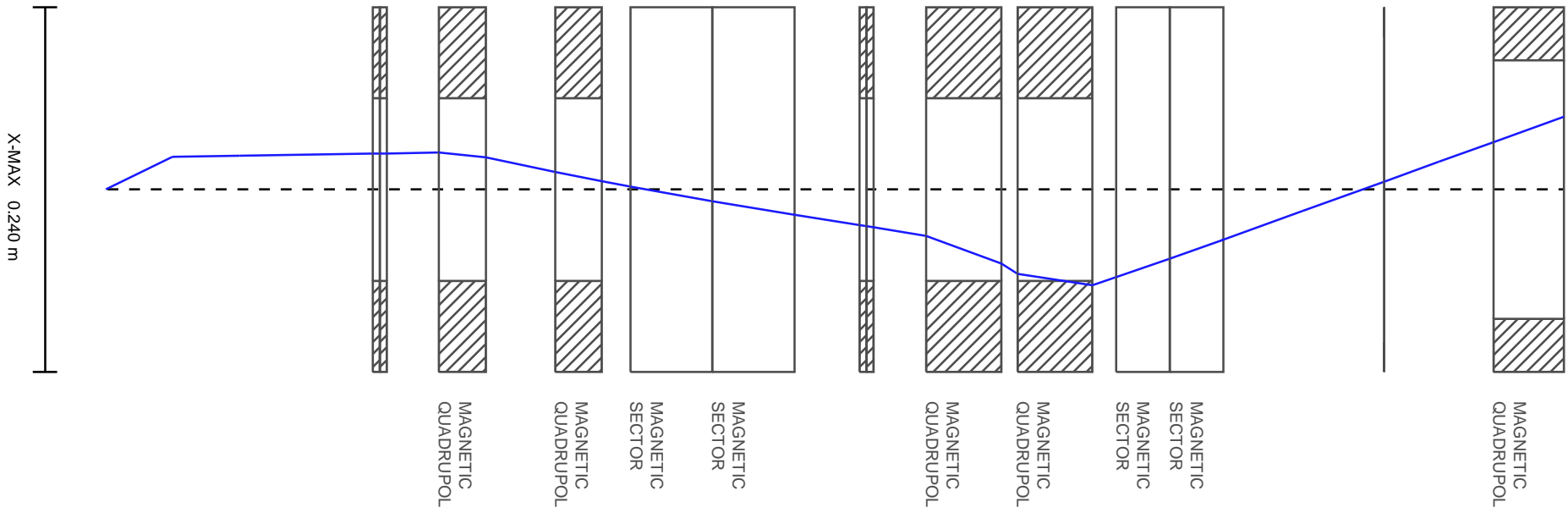
CALC MODE: SYSTEM MATRIX
CALC ORDER: 1







2.000 m



2.000 m

Expression: [X,D]

