

**ILLUSTRATED
PARTS
BREAKDOWN**

**DECstation/DECsystem 5000
MODELS 50/150/260**

ILLUSTRATED PARTS BREAKDOWN (IPB)

The IPB is used to identify a part and its location in a hardware product. The document references specific item numbers in the associated parts list.

HOW TO USE THE IPB

1. Locate the figure containing the item of interest.
2. Locate the number (callout) of the item of interest.
3. Locate that item number in the associated parts list.

FORMAT

Each IPB is generally organized based on its first figure. All other assemblies and subassemblies are referenced from this figure. Each figure contains numeric callouts of all major parts (items).

PARTS LIST

Each parts list contains the following:

Figure and Item No. – Lists the figure number and its referenced numeric callout

Description – Presents the name and a brief description of the item. A single asterisk (*) preceding the description denotes item is a

subassembly to its referenced figure. A double asterisk (**) preceding the description indicates that this item is subordinate to the preceding single asterisk item.

DEC Part No. – Lists the Digital/Vendor part number. The letter in the column heading indicates the current revision level of the Engineering Drawing for the referenced figure.

ECO Cut-In – Lists the top assembly drawing number and revision level at first printing. All additional revisions to an item are listed in this column.

Used On Code – Lists letters referring to the product variation assigned in Figure 1. When this column is blank, the item is used in all variations.

Ref Fig No. – Lists a cross reference between figures within the IPB.

PART NUMBER/PART DESCRIPTION INDEX SECTION

Lists items by part number numerically, and description alphabetically. Items are also referenced to a location within the IPB by figure and item number.

ECO/REVISION HISTORY

**OTHER IPB
MANUALS
REFERENCED**

FIGURE NO.	ASSEMBLY	INITIAL LEVEL	CURRENT LEVEL	PRINTING DATE	OTHER IPB MANUALS REFERENCED
1	PM40A	00000	00000	9-JUL-93	N/A
2	PM40B	00000	00000		
3	PM41B	00000	00000		
4	70-28357	00002	00002		
5	PM43B	00000	00000		
6	70-28322	00004	00004		
7	PM48A	00000	00000		
8	PM48B	00000	00000		
9	PM49B	00000	00000		
10	70-28350	00001	00001		
11	70-28348	00002	00002		

*(5"- 26*1.&/5 03103"5*0/ 3&4&37&3*(5 8*5)065/05*\$&50."& 46#45*565*0//4%.0%*"5*0/4*/
&41&\$**"\$5*0/0' 130%6\$540\$6.&/5&%/ 5)*4."/6"- "/% '635)&33&4&37&3*(5508*5)%3"8"/9 0'
5)&4&30%6\$540. 5)&."3,&5 8*5)065/05*\$&

*(5"- 26*1.&/5 03103"5*0/ *4/05 3&410/4*#-03 &33039)*\$) ."9 "11&"3*/ 5)&5&\$/)*\$"-%&4\$3*15*0/
/\$-6%/(*-6453"5*0/4% 1)050(3"1)4 0' 5)&130%6\$507&3_)*4."/6"-

0/& 0' 5)&%&4\$3*15*0/5*"/&%/ 5)*4."/6"- *.1-9 5)&(3"/5*/(0' "/9 -*\$&/48)"540&7&50."& 64&03
4&-&26*1.&/5 \$0/4536\$5&%"\$03%/"\$85)&3&8*5)

&453*\$5&0%54 4& %61-*\$"5*003%*4\$-046885)& 07&3/.&/5 *446#+&503&453*\$5*044&5035)
*/ 46#1"3"(3"1) \$ ** 0' 5)& *(54 */ &\$/)*\$"- "5" "/% 0.165&3 0'58"3& \$-"64&"5

0193*(5 #9 *(5"- 26*1.&/5 03103"5*0/ -- 3*(543&4&37&%
3*/5&%/

)& 1045"(& 1"*% '03. 0/ 5)&-"451"(& 0' 5)*4%0\$6.&/5 3&26&45063\$3*5*\$"-
&7"-6"5*0/50"44*454*/ 13&1"3*/('65638%0\$6.&/5"5*0/

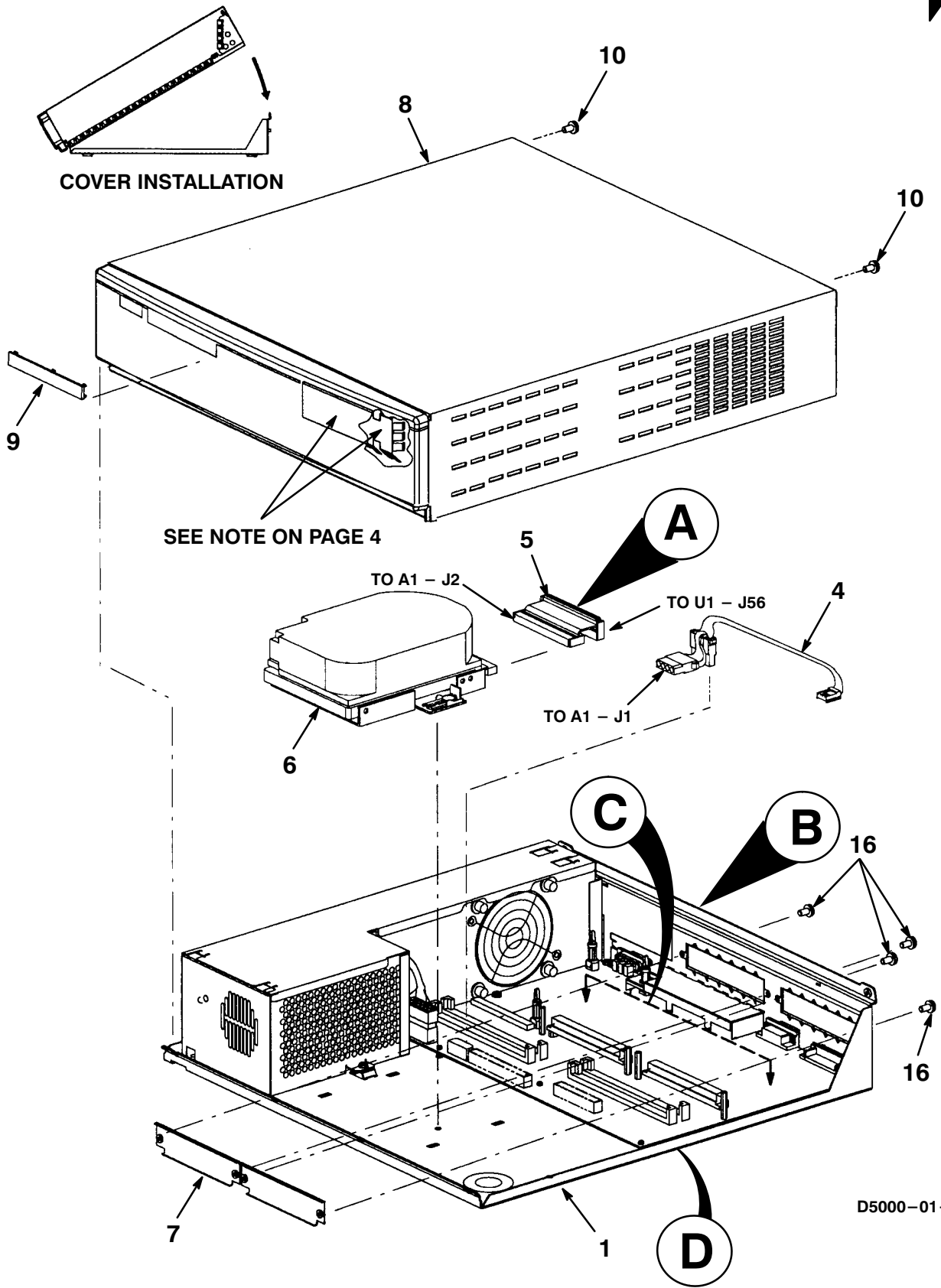
)& '0--08*/("3&53"%&."3,40' *(5"- 26*1.&/5 03103"5*0/

%*3&\$5 45"5*0/ 4945&. ! "/% 5)& -0(0

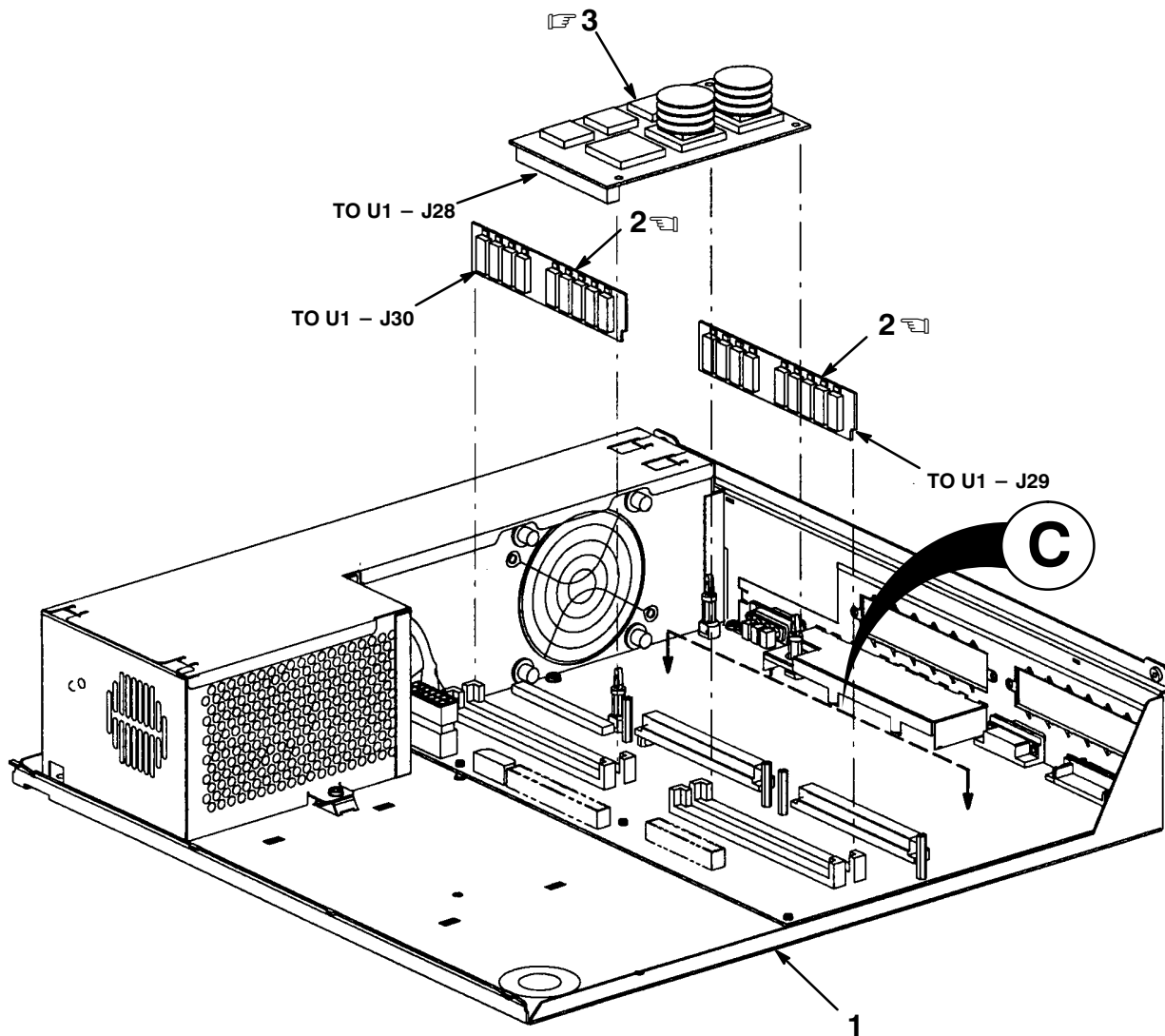
)*4 ."/6"- 8"4 13&1"3&%%% 16#-*4)	 /'03."5*0/ &4*/("/% 0/46-5*/(
*(5"- 26*1.&/5 03103"5*0/

INDICATES FRU LEVEL PARTS.

PARTS LIST



  INDICATES FRU LEVEL PARTS.



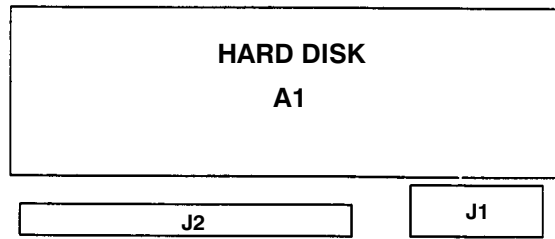
D5000-01A-SC

Figure 1. Personal DECstation 5000 Model 50 Custom Kernel Assembly (Sheet 2 of 3)

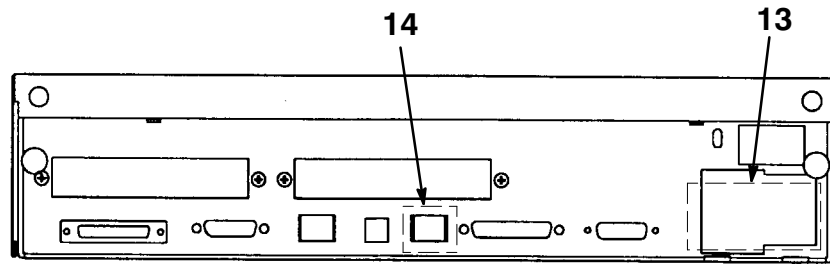


INDICATES FRU LEVEL PARTS.

PARTS LIST

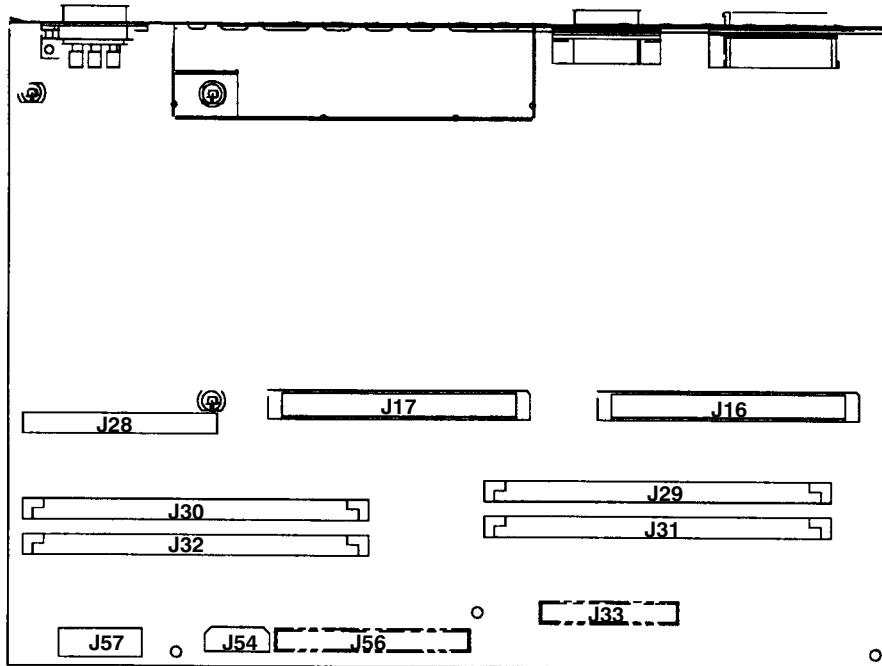


A

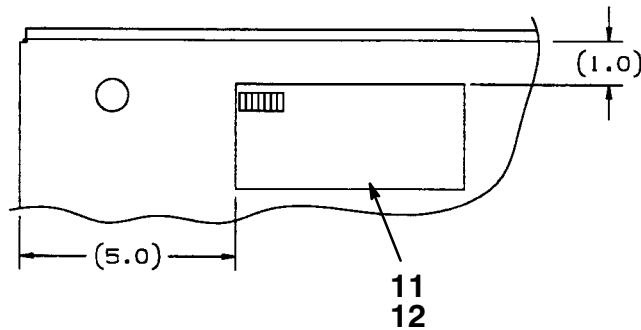


B

REAR VIEW



C

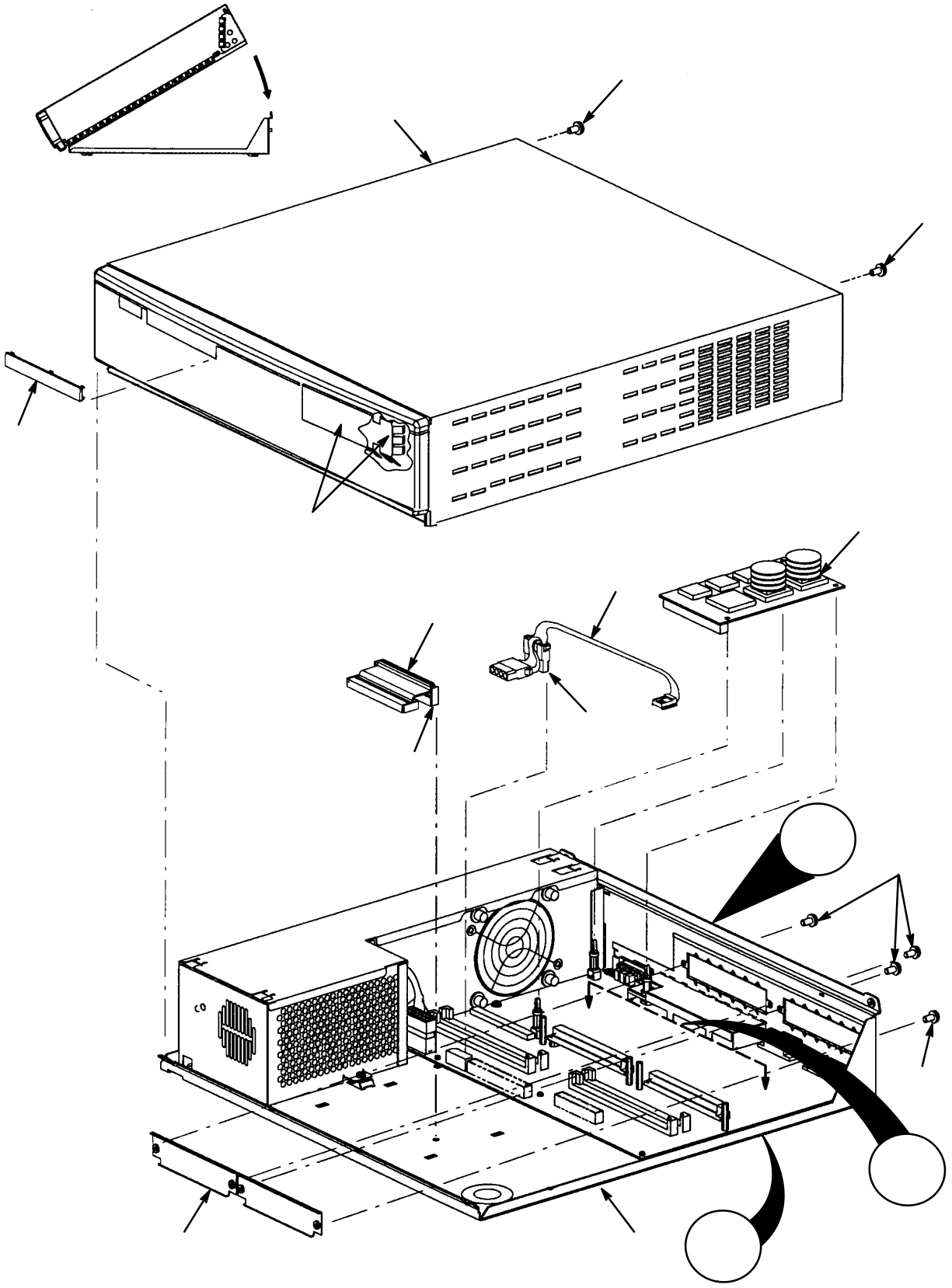


D

D5000-01B-SC

Figure 1. Personal DECstation 5000 Model 50 Custom Kernel Assembly (Sheet 3 of 3)

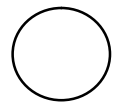
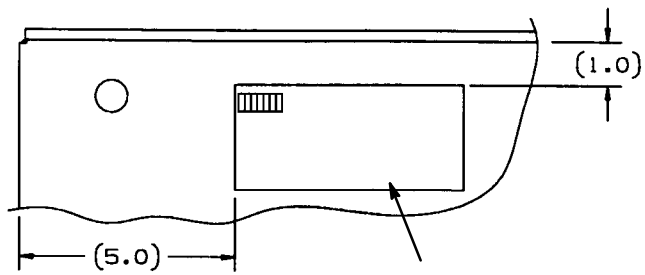
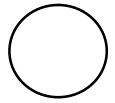
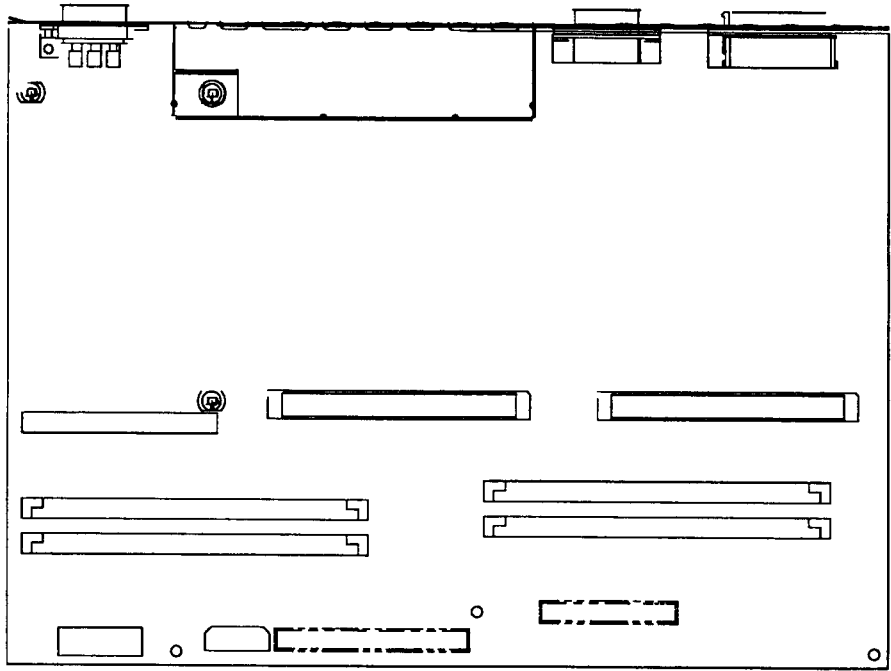
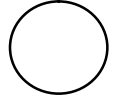
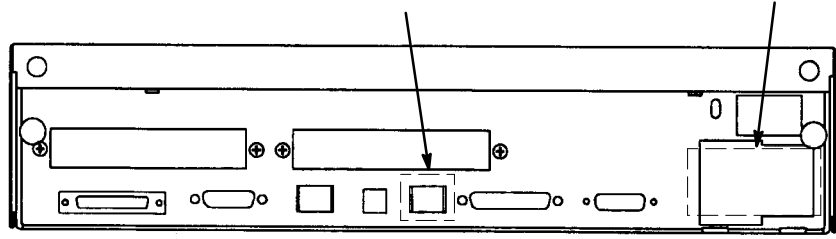
'! "#	& % \$' #"	\$ %' "#	# '" \$!	(& #"# #	% "#
	\$ %&#" >?.?6;: !# (&#! %" & &! + ;12 !;128 \$! \$!, ! \$! \$!29;=D .>2 =.<560> %, 6>7 =6A2 ;12 !;128 \$! \$!, ! \$! \$!29;=D !& ! \$.=6?D !29;=D !/6? %! 56< &+&! #* & &! + #!!#" !;1@82 &!! D/=61 !29;=D ! C 6? !;1@82 %) 6=2.=:2>> >>29/8D ;;1) /82 >>29/8D ;;1 8? 6>7 =6A2 >>29/8D :05 & & ! %, \$ @8752.1 >>29/8D \$! 8.:7 ;A2= >>29/8D ';< !21.886;: >?.?6;: &0=2B &283' .< \$.: 1 "; C /28 --%24@8.?;=D(& /28 --%24@8.?;=D(/28 -- ??2.?6;: \$=2 :>?.8821 &;3?B.=2 /28 8.:7 :05 C :05 '! ";? &5;B: \$.07.42 >>29/8D "# ;= (:6?>) 6?56>7 =6A2> %29;A2 8.:7 2E28 '52: %29;A2 8.:7 &56281				



!

||

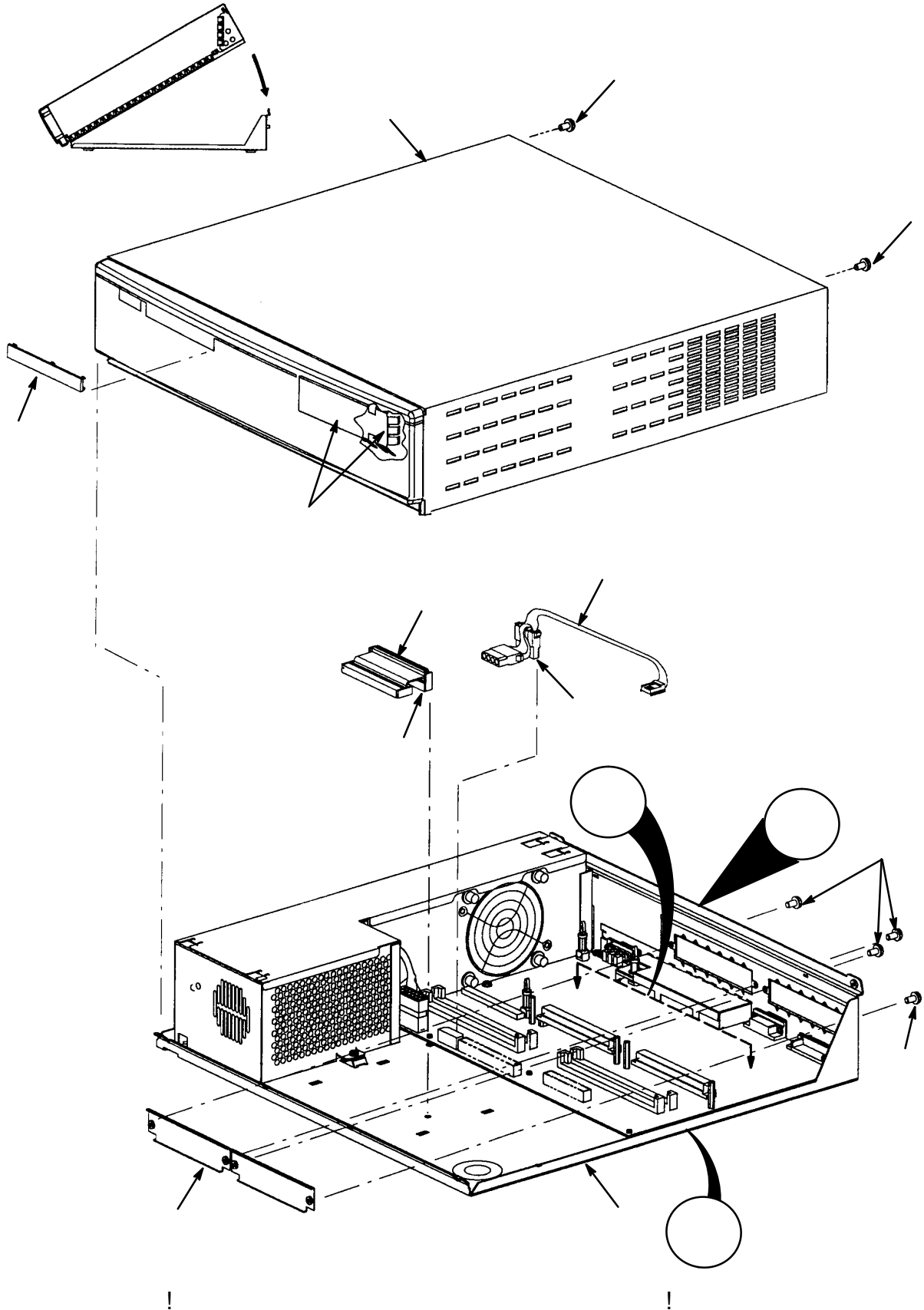
||

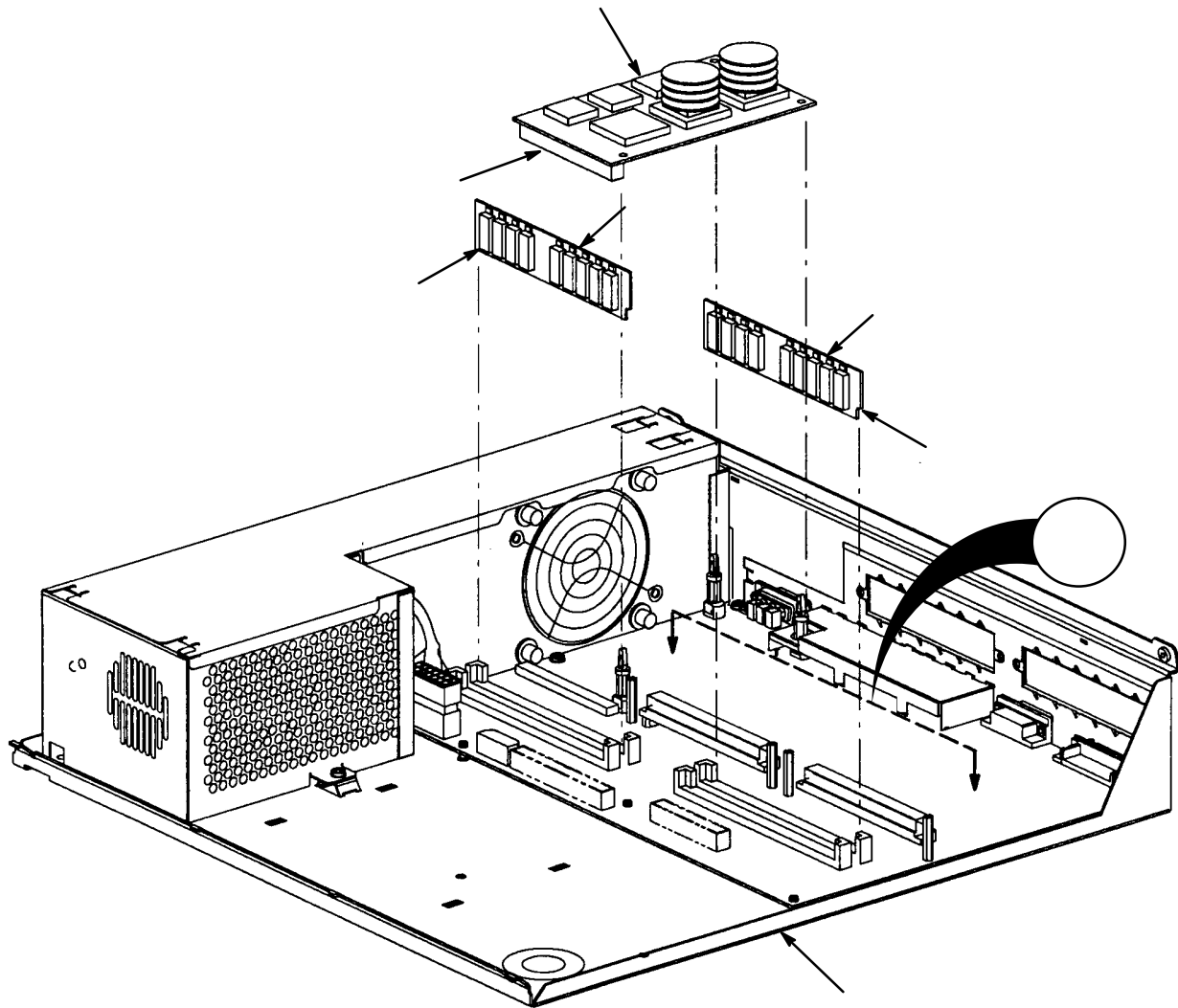


!

!

'! "#	& % \$' #"	\$ %' "#	# '" \$!	(& #"# #	% "#
	<p>\$ %&#" >?.?6;: !#</p> <p>&+&'! %" & &! + !, !</p> <p>!29;=D .>2 =.<560> 6>782>></p> <p>&+&'! #* & &! + #!!#"</p> <p>!;1@82 %</p> <p>) 6=2.=:2>> >>29/8D ;;1)</p> <p>./82 >>29/8D ;;1 8.?</p> <p>@8752.1 >>29/8D \$! 8.:7</p> <p>;A2= >>29/8D ';<</p> <p>!21.886;: >?.?6;:</p> <p>&0=2B &283' .< \$.: 1 " ; C</p> <p>./28 --%24@8.?.;=D(&</p> <p>./28 --%24@8.?.;=D(</p> <p>./28 -- ??2:?.6;: \$=2 :>?.8821 &;3?B.=2</p> <p>./28 8.:7 :05 C :05</p> <p>'! " ;? &5;B:</p> <p>\$.07.42 >>29/8D</p> <p>"# ;= (:6?>) 6?56>7 =6A2> %29;A2</p> <p>8.:7 2E28 '52:</p> <p>%29;A2 8.:7 &56281</p>	\$! +			





!

!

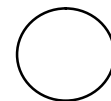
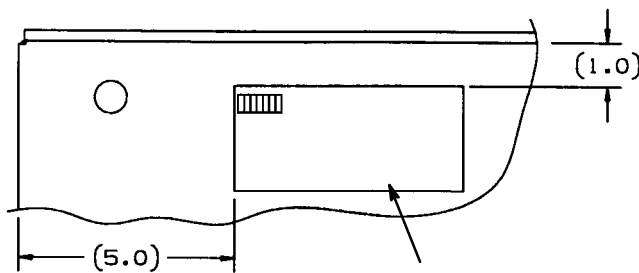
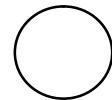
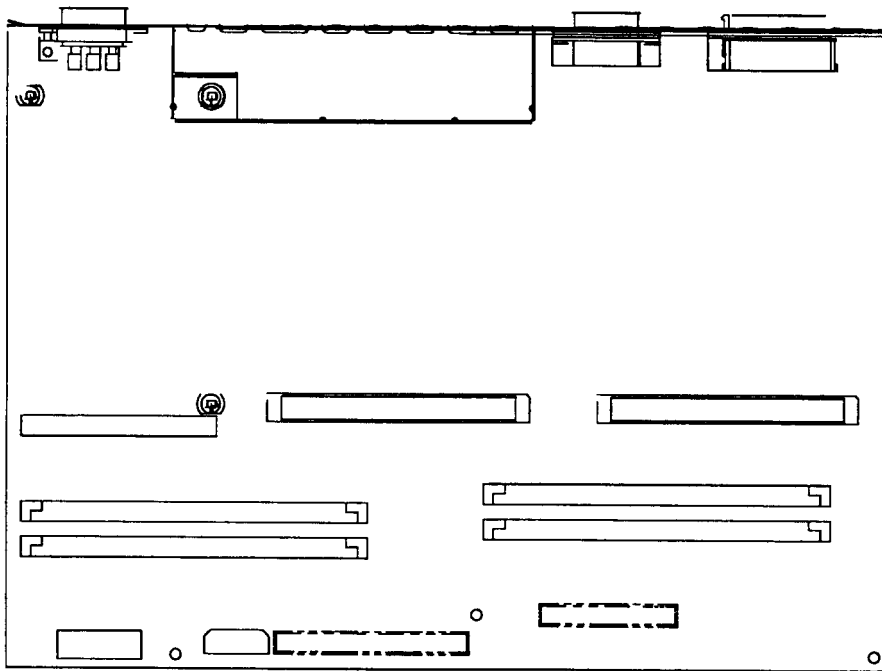
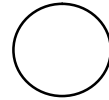
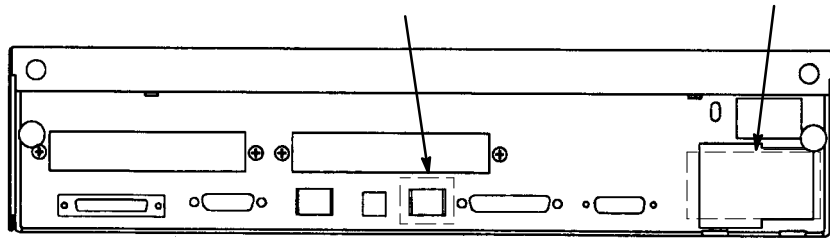
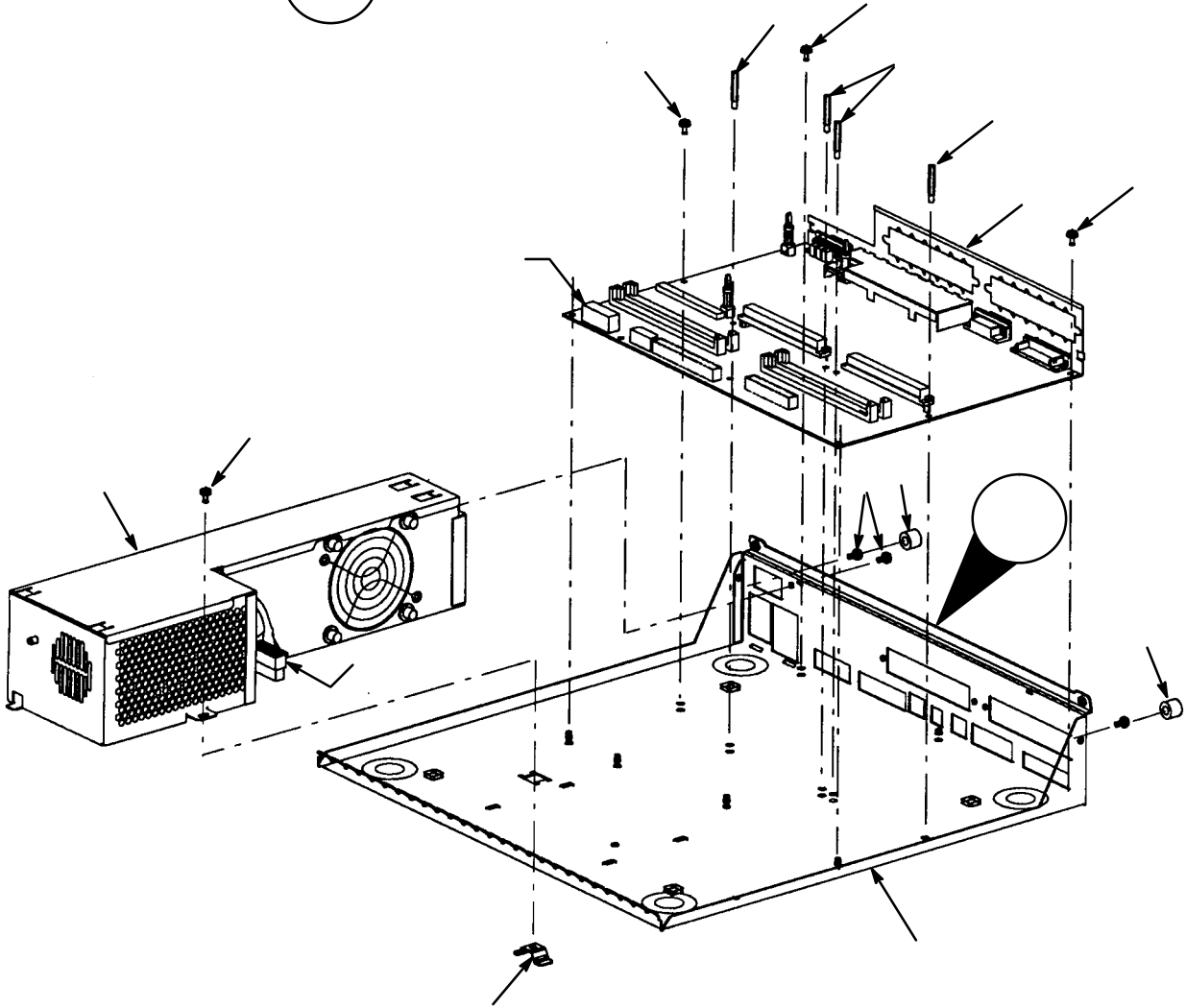
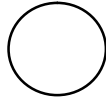
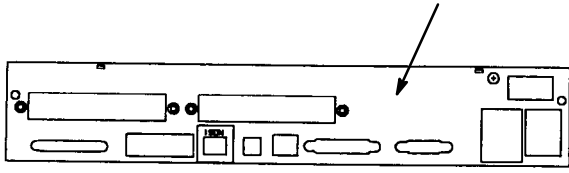


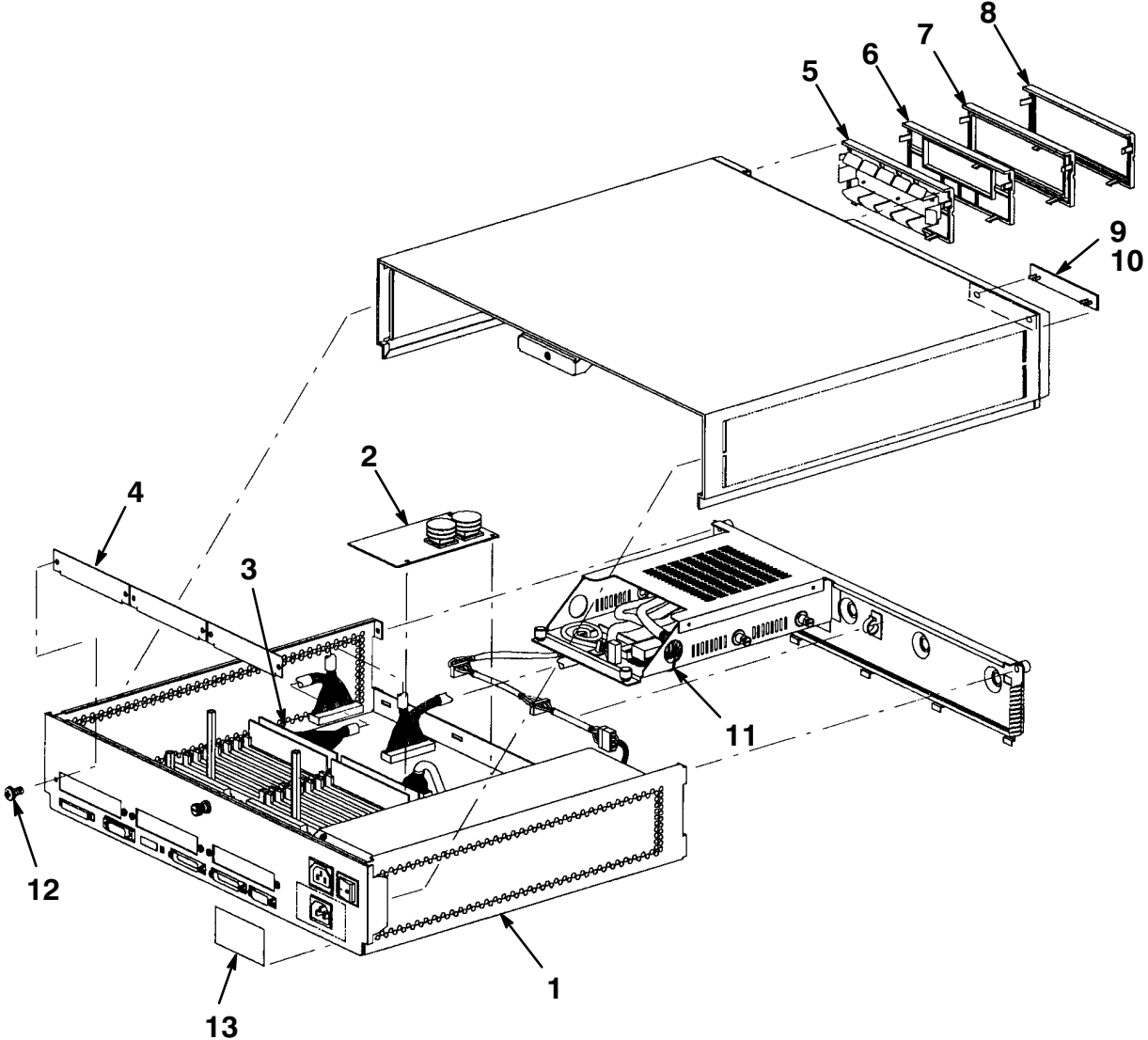
FIG. & ITEM NO.	DESCRIPTION	DEC PART NO. ^A	ECO CUT-IN PM41B 00000	USED ON CODE	REF FIG NO.
3-	DECsystem 5000 MODEL 50 SERVER KERNEL ASSEMBLY	N/A			
	Code A – Model PM41B–AY (50 MHZ, 8 MB Memory, Diskless)	PM41B–AY		A	
	Code B – Model PM41B–CY (50 MHZ, 8 MB Memory, Diskless)	PM41B–CY		B	
1	*SYSTEM BOX ASSEMBLY, COMMON	70–28357–02			4
2	*Module, SIMM Hybrid Memory 4M x 18 Bit	57–34320–01		B	
3	*Module, R4000	54–21874–01			
4	*Wire Harness Assembly, 04 Cond, Flat	17–03357–01			
5	*Cable Assembly, 50 Cond, Flat	17–01626–05			
6	*Bulkhead Assembly, PM 300 Blank	74–41143–05			
7	*Cover Assembly, Top	70–28353–02			
8	*Medallion, DECstation 5000/50	74–41856–13			
9	*Screw, Self–Tap Pan Hd No. 6 x 1/4	90–00062–10			
10	*Label, “Regulatory” (U.S.)	36–35152–11			
11	*Label, “Regulatory” (U.K.)	36–35152–12			
12	*Label, “Attention Pre–Installed Software”	36–28979–01			
13	*Label, Blank, 1 Inch x 1 Inch	36–37572–01			
	ITEM (Not Shown)				
	*Package Assembly	37–01295–03			
	NOTE: For Units With Disk Drives, Remove Blank Bezel (74–46387–01), Then Remove Blank Shield (74–46395–01).				



\$	# " !\$! "\$	% \$	% #	"
	<p>#)#\$ (# #)</p> <p>!2+9/ +8/</p> <p>5.:2/ #=89/3</p> <p>! 5;/7 #:662= ' & &</p> <p>& &</p> <p>7+-1/9 #:66579</p> <p>:36/7</p> <p>#-7/; #/38 !+4 . 5 <</p> <p>#9+4.500 +2/ /3+2/ /<</p> <p>+,/2 **</p>				

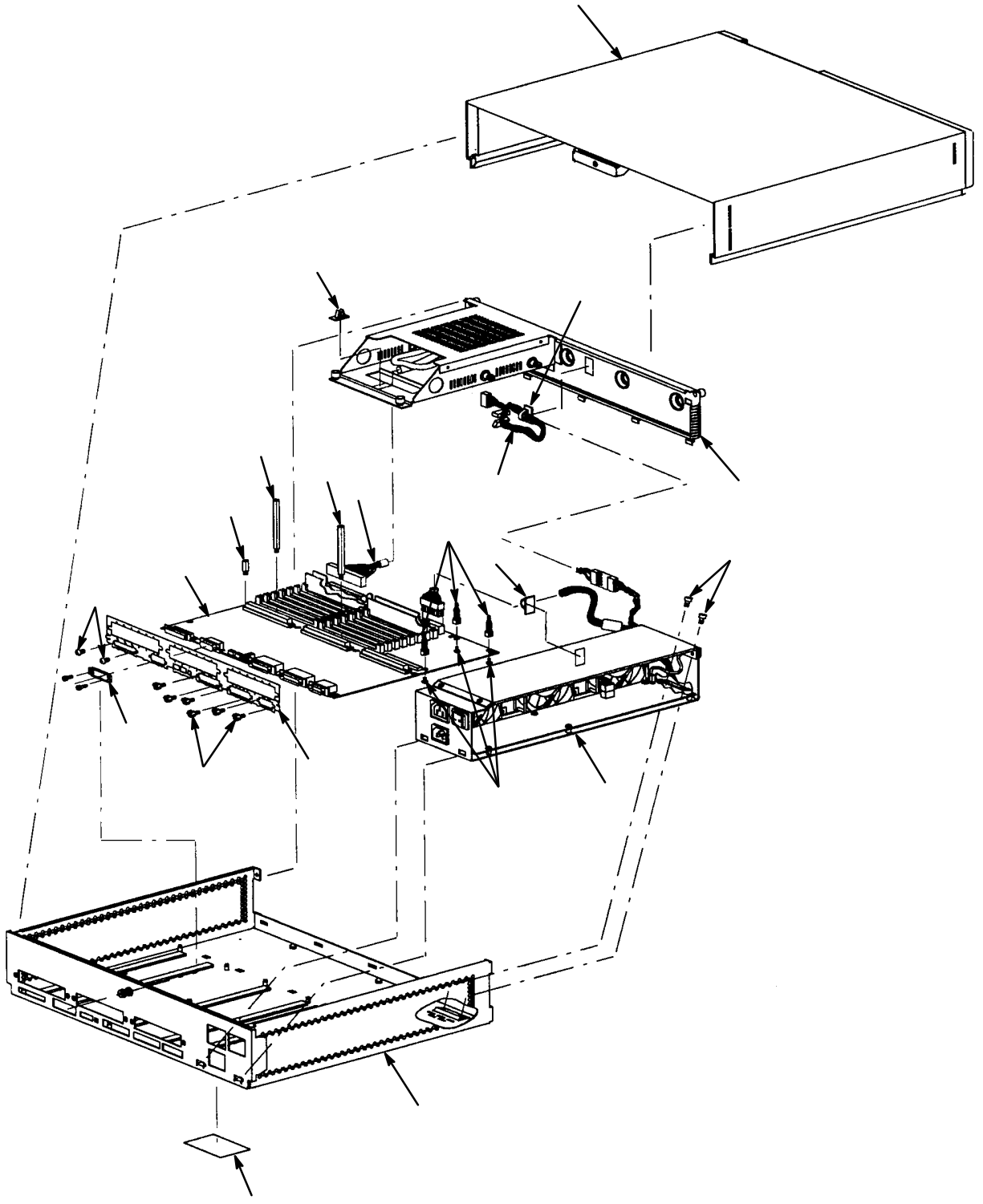
INDICATES FRU LEVEL PARTS.

PARTS LIST



D5000-05-SC

FIG. & ITEM NO.	DESCRIPTION	DEC PART NO. ^A	ECO CUT-IN PM43B 00000	USED ON CODE	REF FIG NO.
5-	DECsystem 5000 MODEL 150 BUILD-TO-ORDER SERVER KERNEL ASSY.	PM43B-BY			
1	*SYSTEM BOX ASSEMBLY, DECstation 5000 MODEL 150	70-28322-04			6
☞ 2	*Module, R4000	54-21874-01			
☞ 3	*Module, SIMM Hybrid Memory 4M x 18 Bit	57-34320-01			
4	*Bulkhead Assembly, PM300 Blank	74-41143-05			
5	*Weldment, Blank Bezel, Insert	70-28345-01			
6	*Insert, Bezel, RX23	74-41143-05			
7	*Insert, Bezel, RRD42	74-42126-02			
8	*Insert, Bezel, TZK10	74-42126-04			
9	*Medallion, Snap-In, DECstation 5000/150	74-43093-08			
10	*Medallion, Snap-In, DECsystem 5000/150	74-43093-12			
11	*Tie, Cable	90-07032-00			
12	*Screw, Mach Pan Hd No. 6-32 x 1/4	90-00038-19			
13	*Label, "Attention Pre-Installed Software"	36-28979-01			
	ITEMS (Not Shown)				
	*Package Assembly	37-01210-01			
☞	*ACCESSORY KIT, DECstation 5000/150	70-28319-01			
	**Connector, D-Sub 15 Position	12-22196-02			
	**Connector, Adapter, 25 Pos D-Sub to 6 Pos	12-33190-01			
	**Wrist Strap, Grounding	12-24023-07			
	**Connector, Terminator	12-33626-01			
	**Cable Assembly, Jumper 03 Conductor	17-00365-19			
	**Power Cord	17-00442-25			
	**Cable Assembly, Molded, Shielded, D-Sub	17-02640-01			
	**Cable Assembly, Molded, Shielded, Twisted Pair	17-02641-02			
	**Label, "FTZ Postcard"	36-30422-54			
	**Screwdriver, Flat Blade	47-00042-00			
	**Screwdriver, Phillips	47-00043-00			
	**Bag, Poly Reclose	99-06557-36			



'! "#	& % \$' "#	\$ %' "#	(' "#	(& #" #	% # "#
	&,&'! #+ & &! , >?.?6:; !# \$;B2= &@<<8D *)))) 6? :08;>@=2 >>29/8D * 6=2.=:2>> >>29/8D .6>D 5.6: ./82 >>29/8D %;@:1 ;:: '2=9 8.9< ./82 &6.482\$=;:4 152>6A2 !;@:? 8.9< ./82 @.8 \$=;:4 152>6A2 !;@:? &?:1;33 %;@:1 "D8;: &?:1;33 2C "; C :05 &?:1;33 &?228 2C "; C !;1@82 >>29/8D &D>?29 &56281 %2.= @8752.1 &0=2B !.05 \$.: 1 "; C &0=2B ;07 &8612 .?05 >>29/8D %6A2?\$ @>5 @??: &0=2B .< 2C 1 "; C ./28 --%24@8.?;=D(& ./28 --%24@8.?;=D(

DECstation 5000 Model 260
DECsystem 5000 Model 260

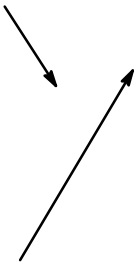
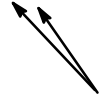




'! "#	& % \$' #"	\$ %' "#	# (\$!	(& #" #	% "#
	=>.>5:9 !# &+&! %" & &! + !, ! !28:<C 5=672== !& ! !28:<C !/5> %! 45; &+&! #* & &! + " & '\$!:1?72 % !:1?72 ! !28:<C #;>5:9 A !/5> %! 45; !21.775:9 =>.>5:9 &0<2A !.04 \$.9 1 ": B ":> &4:A9 '!& " :> &4:A9 \$.06.32 ==28/7C & &#%+ ' " :9920>:< &?/ \$:=5>5:9 :9920>:< 1.;>2< \$:= &?/ >: \$:=) <5=&><.;< ?91593 . /72 ==28/7C ?8;2< :91?0>:< \$:A2< :<1 . /72 ==28/7C !:7121 &4527121 &?/ . /72 ==28/7C !:7121 &4527121 ' A5=>21\$.5< . /27 -- ', \$:=>0.<1 &0<2A1<5@2<7.> 7.12 &0<2A1<5@2\$45775;= .3 \$:7C%207:=2	\$! +		!&	



'! "#	& % \$' #"	\$ %' "#	# (\$!	(& #"# #	% "#
	<p>>D>?39 !# & %) % %" \$! , & &! , !- ! !39;=D 6>783>> !& ! !39;=D !06? %! 56<</p> <p>&.&! #+ & &! , " & # \$!;2@83 % !;2@83 ! !39;=D #<?6;: B !06? % ! 56< !32/886;: >D>?39 &1=3B !/15 \$/: 2 "; C ";? &5;B: '!& ";? &5;B:</p> <p>\$ /17/43 >>3908D & &#%, ' " :::31?;= &@0 \$;>6?6;: :::31?;= 2/<?3= \$;> &@0 ?; \$;> * =6>&?=< =:@:26:4 /083 >>3908D @9<3= ;:2@1?;= \$;B3= ;=2 /083 >>3908D !;8232 &5638232 &@0 /083 >>3908D !;8232 &5638232 ' B6>?32\$/6= /038 .. '- \$;>?1/=2 &1=3B2=6A3= 8/? 8/23 &1=3B2=6A3=\$56886<> /4 \$;8D%318;>3</p>	!			



\$	# " !\$! "\$	% \$	% #	"
	<p> #)#\$ (# #) # \$! 4,258:7. 88.3+2> ! \$56 #)#\$ % < #%" 5-:2. .357> 69054 < +09 # " /06 5-:2. .357> 69054 < +09 # " /06 557 88.3+2> ! 7549 ! 5<.7 #:662> ' & 7*,. 88.3+2> .357> :21/*- 88.3+2> ! 2*41 #/0.2- " 559 88.3+2> <! :8/ "0;.9 #,7.< *6 . = - 5 = #,7.< */ !*4 - 5 = </p>				



& !"	% \$ #& !" !	# \$& !" !	" '& !	'% "!" "	\$!"
	<p> %(%& " ' < ! "%\$ 6,479;8. 99.5+4> 7::75 7-;4. %>9:5 %12.4- \$.*8 ;431.*- *.;1 99.5+4> %42- %:*6-7// *.4. .5*4. .= !7 = 6,1 %:*6-7// %:..4 .= !7 = %,8.< 7,3 %,8.< 2429:.8!7 = %,8.< *,1 #*6 - !7 = *+.4))\$.0;4*:78> 9:*:276 ' % *+.4))\$.0;4*:78> 9:*:276 ' </p>				



' (!# \$!
9*:265 9?9:4 6-.39

!#

"! #

#

655.,:68 "+ 692:265 6: "16=5
655.,:68 "+ 692:265 6: "16=5
655.,:68 "+ 692:265 6: "16=5
655.,:68 "+ 692:265 6: "16=5
& 829!:"8*7 86;5-250 6: "16=5
*:,1 99.4+3? "32-
"32- *:,1 99.4+3?
655.,:68 -*7:.8 69 "+ :6 69 6: "16=5
655.,:68 -*7:.8 69 "+ :6 69 6: "16=5
655.,:68 -*7:.8 69 "+ :6 69 6: "16=5
655.,:68 -*7:.8 69 "+ :6 69 6: "16=5

655.,:68 #.8425*:68 6: "16=5
":*5-6// "..."3 .> 6 >
":*5-6// "..."3 .> 6 >
":*5-6// !6;5- ?365
!2<.: ;91 ;::65
& 829!:"8*7 86;5-250 6: "16=5
& 829!:"8*7 86;5-250 6: "16=5
& 829!:"8*7 86;5-250 6: "16=5
;47.8
"12.3- !

*+3. 99.4+3? ;47.8 65-;:68 6: "16=5
*+3. 99.4+3? ;47.8 65-;:68 6: "16=5
*+3. 99.4+3? ;47.8 65-;:68 6: "16=5
*+3. 99.4+3? ;47.8 65-;:68 6: "16=5
6=8 68- 6: "16=5
6=8 68- 6: "16=5
6=8 68- 6: "16=5
6=8 68- 6: "16=5
+3. 99.4+3? 65- 3:
+3. 99.4+3? 65- 3:

+3. 99.4+3? 65- 3:
*+3. 99.4+3? 63-.- "12.3-.- "+ 6: "16=5
*+3. 99.4+3? 63-.- "12.3-.- "+ 6: "16=5
*+3. 99.4+3? 63-.- "12.3-.- "+ 6: "16=5
*+3. 99.4+3? 63-.- "12.3-.- "+ 6: "16=5
*+3. 99.4+3? 63-.- "12.3-.- #=29:.- *28 6: "16=5
*+3. 99.4+3? 63-.- "12.3-.- #=29:.- *28 6: "16=5
*+3. 99.4+3? 63-.- "12.3-.- #=29:.- *28 6: "16=5
*+3. 99.4+3? 63-.- "12.3-.- #=29:.- *28 6: "16=5
+3. 99.4+3? 6;+3. "12.3-.- 6>2*3 6: "16=5

+3. 99.4+3? 6;+3. "12.3-.- 6>2*3 6: "16=5
*+3. 99.4+3? !6;5- 655 #.84
& 28. *85.99 99.4+3? *29? 1*25
& 28. *85.99 99.4+3? 65- &
& 28. *85.99 99.4+3? 65- &
& 28. *85.99 99.4+3? 65- 3*:

6=8 ";773? & %

*+3)) ::.5:265 8. 59:*33.- "6/:=*8.
*+3)) ::.5:265 8. 59:*33.- "6/:=*8.
*+3)) ::.5:265 8. 59:*33.- "6/:=*8.
*+3)) ::.5:265 8. 59:*33.- "6/:=*8.

& ' !# \$!
89)9054 8>89-3 5,-28

#

!#

" ! #

%-2,3-49 2)41 -?-2 48-79

4+258:7- 88-3*2> 59953

""# \$ < "\$!

""# \$ < "\$!

" " ! #

59 "/5<4

" " ! #

59 "/5<4

" " ! #

59 "/5<4

""# & " " ' "#

""# & " " ' "#

""# & " " ' "#

""# & " " ' "#

5;-7 88-3*2> #56

5;-7 88-3*2> #56

5;-7 88-3*2> #56

""# & " " ' "

""# & " " ' "

""# & " " ' "

""# & " " ' "

09 4+258:7- 88-3*2>

"/0-2, !-)7 :21/-),

"/0-2, !-)7 :21/-),

7)+- 88-3*2> -357>

:21/-), 88-3*2> 2)41

:21/-), 88-3*2> 2)41

:21/-), 88-3*2> 2)41

:21/-), 88-3*2> 2)41

:21/-), 88-3*2> 2)41

48-79 -?-2 !&

-,)22054 89)9054

-,)22054 89)9054

-,)22054 89)9054

48-79 -?-2 !!

48-79 -?-2 #(

-,)22054 "4)6 4 89)9054

-,)22054 89)9054

-,)22054 89)9054

-,)22054 "4)6 4 8>89-3

-,)22054 8>89-3

2)9-)8-

7)+1-9 ":66579

"9)4,5..)2- -3)2- -= 5 = 4+/
"9)4,5.. -= 5 = 4+/
"9)4,5..)2- -3)2- -=

"9)4,5..)2- -3)2- -=

" +7-<)+/)4 , 5 =

" +7-<)+/)4 , 5 =

" +7-<)+/)4 , 5 =

" +7-<)+/)4 , 5 = 59 "/5<4

" +7-<)+/)4 , 5 = 59 "/5<4

" +7-< "-2. #)6)4 , 5 =

" +7-< "-2. #)6)4 , 5 =

" +7-< "-2. #)6)4 , 5 =

" +7-< "-2. #)6)4 , 5 =

" +7-< "-38)4 , 5 =

" +7-< "-38)4 , 5 =

#0-)*2-

() ! "\$ % "
;+;276 :@;/5 7./4:

\$

! "\$

" !\$

#-9/> +-1 !+6 . 7 ?
#-9/> +-1 !+6 . 7 ?
#-9/> +8 /? . 7 ?
#-9/> +8 /? . 7 ?
#-9/> 7-3
#-9/> 7-3
#-9/> 242;:/9 7 ?
4+58 +,4/ #2604/!9760 .1/:2=/ 7<6;
4+58 +,4/ <+4 !9760 .1/:2=/ 7<6;
77; :/5,4@ >! <:1 "2=/;

+0 ! 74@/-47:/ 7; #17>6
+0 ! 74@/-47:/ 7; #17>6
+0 ! 74@/-47:/ 7; #17>6
+0 ! 74@/-47:/ 7; #17>6

! 7>/9 #<884@ ' & &
& &
! 7>/9 #<884@ ' & &
& &

7.<4/ /579@ 8;276 > ,2; " 128
7.<4/ /579@ 8;276 > ,2; " 128
7.<4/ /579@ 8;276 > ,2; " 128
7.<4/ /579@ 8;276 > ,2; " 128
7.<4/ /579@ 8;276 > ,2; " 128

! ! 7./4 ! ! * /579@
+:/ 9+812-: "*" 2:3 92=/
! ! 7./4 ! ! * /579@
! +92;@579@ ,2; " 128

!) !"# ;+;276 #)#\$
" # #) * /579@
+:/ 9+812-: 2:34/::

!) 7./4 !) * /579@ 2:34/::
!) 7./4 !) * /579@ 2:34/::
!) :@;/5 % \$ " "
#"&" " # #)

! ;+;276 " # #) *
/579@ 2:34/:: #
/579@ ,2; " 128

!) ;+;276 #)#\$ " # #)
* /579@ 2:34/:: #
/579@ ,2; " 128

!) :@;/5 #"&" " # #)
* /579@ 2:34/:: #
/579@ ,2; " 128

** ! 2:3 92=/ :/5,4@ 6-1 # #

!

% & ! "\$ # " !\$
78(8/43 7=78,2 4+,17

# " !\$! "\$	\$
# # "& \$ 78(8/43		48 #.4;3
# # "& \$		48 #.4;3
# # "& \$		48 #.4;3
# # "& \$		48 #.4;3
(- ! 41=",*147,		48 #.4;3
(- ! 41=",*147,		48 #.4;3
(- ! 41=",*147,		48 #.4;3
(- ! 41=",*147,		48 #.4;3
6(*, 77,2)1= ,246=		
6(*0,8 #955468		
910.,(+ 77,2)1= ! 1(30		
910.,(+ 77,2)1= ! 1(30		
910.,(+ 77,2)1= ! 1(30		
910.,(+ 77,2)1= ! 1(30		
910.,(+ 77,2)1= ! 1(30		
925,6		
(01, 77,2)1= 43+ 1(8		
(01, 77,2)1= 43+ 1(8		
(01, 77,2)1= 43+ 1(8		
(01, 77,2)1= 49)1, #./,1+,+ 4(</(1		48 #.4;3
(01, 77,2)1= 49)1, #./,1+,+ 4(</(1		48 #.4;3
(01, 77,2)1= 925,6 43+9*846		48 #.4;3
(01, 77,2)1= 925,6 43+9*846		48 #.4;3
(01, 77,2)1= 925,6 43+9*846		48 #.4;3
(01, 77,2)1= 925,6 43+9*846		48 #.4;3
(01, 77,2)1= 925,6 43+9*846		48 #.4;3
(01, 77,2)1= 41+,+ #./,1+,+ #9)		48 #.4;3
(01, 77,2)1= 41+,+ #./,1+,+ #9)		48 #.4;3
(01, 77,2)1= 41+,+ #./,1+,+ #9)		48 #.4;3
(01, 77,2)1= 41+,+ #./,1+,+ #9)		48 #.4;3
(01, 77,2)1= 41+,+ #./,1+,+ \$;/78,+ ! (/6		48 #.4;3
(01, 77,2)1= 41+,+ #./,1+,+ \$;/78,+ ! (/6		48 #.4;3
(01, 77,2)1= 41+,+ #./,1+,+ \$;/78,+ ! (/6		48 #.4;3
(01, 77,2)1= 41+,+ #./,1+,+ \$;/78,+ ! (/6		48 #.4;3
(01, 77,2)1= "493+ 433 \$,62		
1(25 (01, 9(1 !643- +.,7/;, 4938		
1(25 (01, #/3-1, !643- +.,7/;, 4938		
433,*846 +(58,6 ! 47 #9) 84 ! 47		48 #.4;3
433,*846 +(58,6 ! 47 #9) 84 ! 47		48 #.4;3
433,*846 +(58,6 ! 47 #9) 84 ! 47		48 #.4;3
433,*846 +(58,6 ! 47 #9) 84 ! 47		48 #.4;3
433,*846 #9) ! 47/8/43		48 #.4;3
433,*846 #9) ! 47/8/43		48 #.4;3
433,*846 #9) ! 47/8/43		48 #.4;3
433,*846 #9) ! 47/8/43		48 #.4;3
433,*846 \$,62/3(846		48 #.4;3
4:,6 77,2)1= \$45		
4:,6 77,2)1= \$45		
4:,6 77,2)1= \$45		

78(8/43 " # #& !
,246= /701,77 #
,246=)/8 " ./5

() " #% \$ # "% !
<=,=498 <B<=07 9/06<

\$ # "% ! " #% ! ! %

<=,=498 !)\$% # \$ \$) ")
* 079;B 4<560<< \$
079;B -4= # 34:

<=,=498 !)\$% # \$ \$) ")
* 079;B ,<0 ;,;34.< 4<560<<

<B<=07 ! & %! !# # \$ #' # ")
\$ \$)

<B<=07 ! \$ #' # # \$ \$) ")
* 079;B 4<560<< \$
079;B -4= # 34:

<B<=07 ! \$ #' # # \$ \$) #* "
4<5 ;4?0 <<07-6B 8.3 \$ \$
99; <<07-6B " ;98=

8.69<>;0 <<07-6B 9==97
8.69<>;0 <<07-6B " %9:

99= <<07-6B @ "><3 #4?0=

8<0;= 0C06 ##
8<0;= 0C06 #(
8<0;= 0C06 %*

4= 8.69<>;0 <<07-6B

,-06 ++ ==08=498 8<=,660/ \$91=@,;0
,-06 ++ ==08=498 8<=,660/ \$91=@,;0
,-06 ++ ==08=498 8<=,660/ \$91=@,;0
,-06 ++ ==08=498 8<=,660/ \$91=@,;0

,-06 ++%* " 9<=,; / 9= \$39@8
,-06 ++%* " 9<=,; / 9= \$39@8
,-06 ++%* " 9<=,; / 9= \$39@8
,-06 ++%* " 9<=,; / 9= \$39@8

,-06 ++ !
,-06 ++#02>6,=9;B &
,-06 ++#02>6,=9;B &

,-06 ++#02>6,=9;B &
,-06 ++#02>6,=9;B & \$
,-06 ++#02>6,=9;B & \$
,-06 ++#02>6,=9;B & \$
,-06 ++#02>6,=9;B & \$
,-06 ++#02>6,=9;B &
,-06 ++#02>6,=9;B <=,=498 &
,-06 ++#02>6,=9;B <=,=498 & \$

,-06 6,85 8.3 A 8.3
,-06 6,85 8.3 A 8.3
,-06 6,85 8.3 A 8.3

,=3 <<07-6B \$64/0

0/,66498 <=,=498
0/,66498 <=,=498
0/,66498 <=,=498
0/,66498 <=,=498

() ! "\$ # " !\$
:;+;276 :@:;/5 7./4:

\$

" !\$! "\$

/.+44276 :;+;276
/.+44276 :@:;/5
/.+44276 #6+8 6 :;+;276
/.+44276 #6+8 6 :@:;/5
7./4 ! ! * /579@ +:/ 9+812-: ! !
"* 2:3 92=/
7./4 ! ! * /579@ # ! !
! +92;@579@ ,2; " 128
7./4 !) * /579@ 2:34/: !)
7./4 !) * /579@ 2:34/: !)

7.<4/ :;/5,4@ #@:;/5
7.<4/ /579@ 8;276 > ,2; " 128 #
7.<4/ /579@ 8;276 > ,2; " 128 #
7.<4/ /579@ 8;276 > ,2; " 128 #
7.<4/ /579@ 8;276 > ,2; " 128 #
7.<4/ /579@ 8;276 > ,2; " 128 #
7.<4/ ! ("%"
7.<4/ "
7.<4/ "
7.<4/ "

7.<4/ "
7.<4/ "
7.<4/ "
7.<4/ "
7.<4/ # @,92. /579@ ? 2;
7.<4/ # @,92. /579@ ? 2;
7.<4/ # @,92. /579@ ? 2;
7.<4/ #@:;/5
7.<4/ #@:;/5

! +-3+0/ :;/5,4@ 7; #17>6
! +-3+0/ :;/5,4@ 7; #17>6
! +-3+0/ :;/5,4@ 7; #17>6
! +-3+0/ :;/5,4@ 7; #17>6
! +-3+0/ :;/5,4@ 7; #17>6
! +-3+0/ :;/5,4@ 7; #17>6
! +-3+0/ :;/5,4@ 7; #17>6

! "# :;+;276 %#\$ "
)
!4+;/ +:/

! 7>/9 79. 7; #17>6
! 7>/9 79. 7; #17>6
! 7>/9 79. 7; #17>6
! 7>/9 79. 7; #17>6
! 7>/9 #<884@ ' & & & &
! 7>/9 #<884@ ' & & & &
! 7>/9 #<884@ ' &

"2=;/ ! <:1 <;;76

#-9/> +8 /? . 7 ?
#-9/> +8 /? . 7 ?
#-9/> 242:;/9 7 ?
#-9/> 7-3
#-9/> 7-3

" ! # !#

"*7,< (/ (4 + 5 =
"*7,< (/ (4 + 5 =
"*7,< (/ (4 + 5 =
"*7,< (/ (4 + 5 =
"*7,< (/ (4 + 5 =
"*7,< (/ (4 + 5 = 59 "/5<4
"*7,< (/ (4 + 5 = 59 "/5<4
"*7,< ",2- # (6 (4 + 5 =
"*7,< ",2- # (6 (4 + 5 =
"*7,< ",2- # (6 (4 + 5 =

"*7,< ",38 (4 + 5 =
"*7,<+70;,7 2(9 2(+, 59 "/5<4
"*7,<+70;,7 2(9 2(+, 59 "/5<4
"*7,<+70;,7 2(9 2(+, 59 "/5<4
"*7,<+70;,7 2(9 2(+, 59 "/5<4
"*7,<+70;,7 /022068 59 "/5<4
"*7,<+70;,7 /022068 59 "/5<4
"*7,<+70;,7 /022068 59 "/5<4
"*7,<+70;,7 /022068 59 "/5<4
"/0,2+ !

"/0,2+ !,(7 :21/,(+
"/0,2+ !,(7 :21/,(+
"20+, (9*/ 88,3)2>
"9(4+5-- "9,,2 ,= 5 =
"9(4+5-- ,= 5 = 4*/
"9(4+5-- (2, ,3(2, ,= 5 = 4*/
"9(4+5-- (2, ,3(2, ,= 5 = 4*/
"9(4+5-- !5:4+ >254
"9(4+5-- "9,,2 ,= 5 =

""# & " " ' !
""# & " " ' !
""# & " " ' !
""# & " " ' !
""# & " " ' 89(9054
""# & " " ' 89(9054
""# & " " ' "#
""# & " " ' "#
""# & " " ' "#
""# & " " ' "#
""# \$ < "\$!
""# \$ < "\$!

#0, ()2,

%2+3,49 2(41 ,?,2 48,79
%07, (74,88 88,3)2> 54+ %
%07, (74,88 88,3)2> 54+ %
%07, (74,88 88,3)2> 54+ 2(9
%07, (74,88 88,3)2> (08> /(04
%708997(6 75:4+04. 59 "/5<4
%708997(6 75:4+04. 59 "/5<4
%708997(6 75:4+04. 59 "/5<4
%708997(6 75:4+04. 59 "/5<4