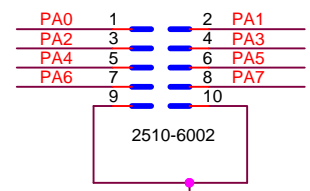
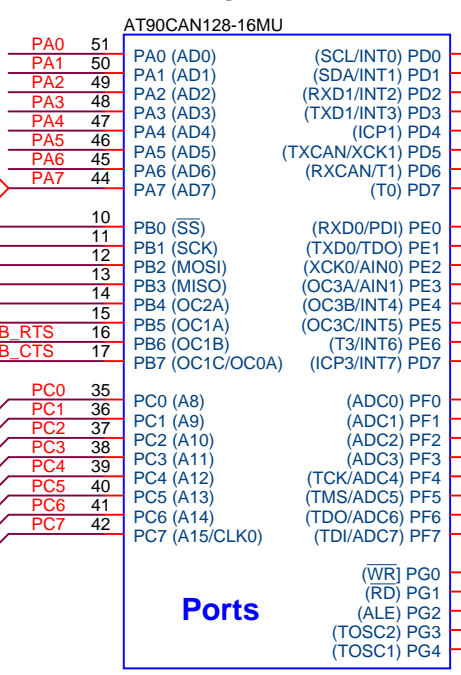


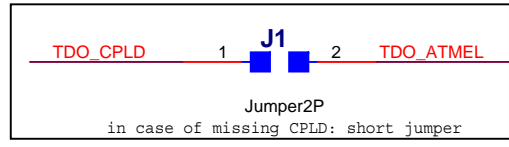
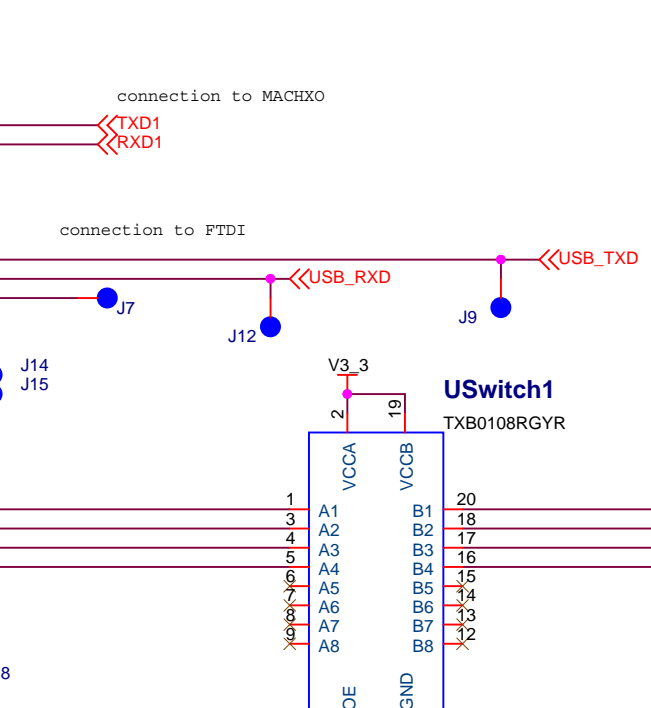
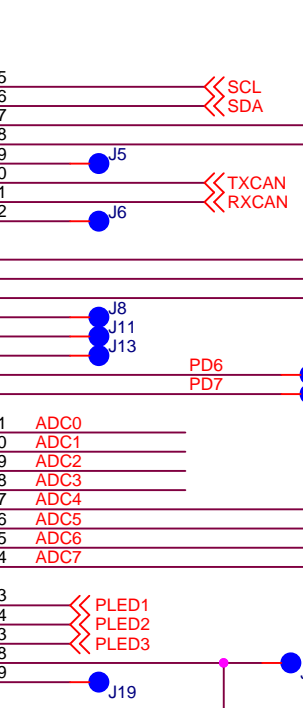
### JDINOUT1



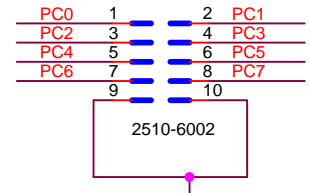
### UATMEL1A



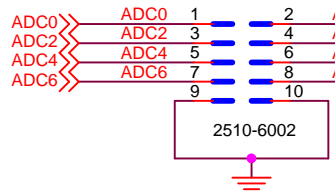
### Ports



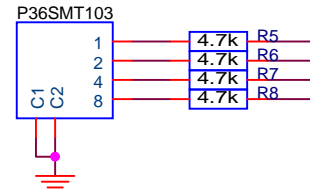
### JDINOUT2



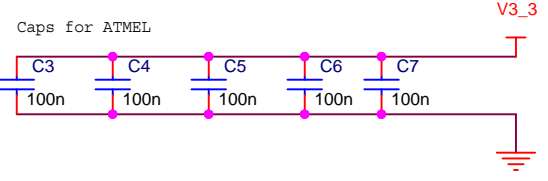
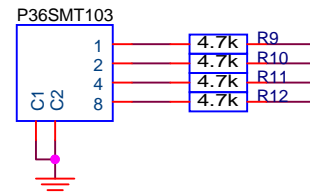
### JADC1



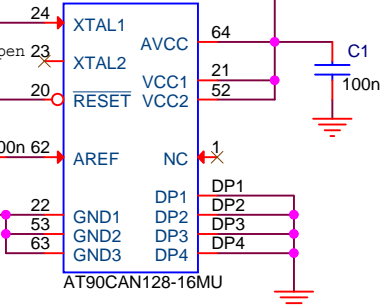
### SWITCH1



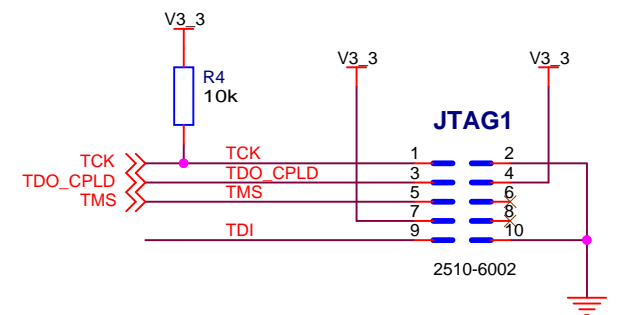
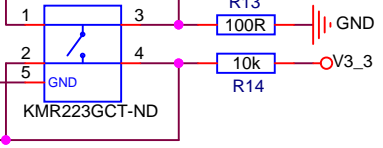
### SWITCH2



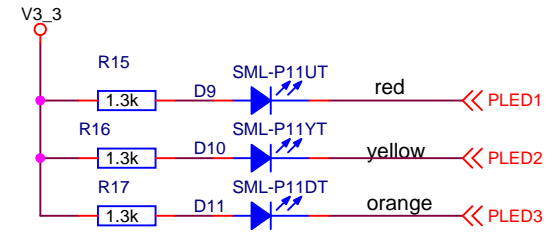
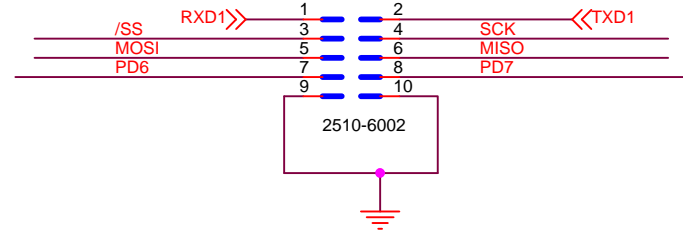
### UATMEL1B



### SWRESET



### JAtmelMISC1

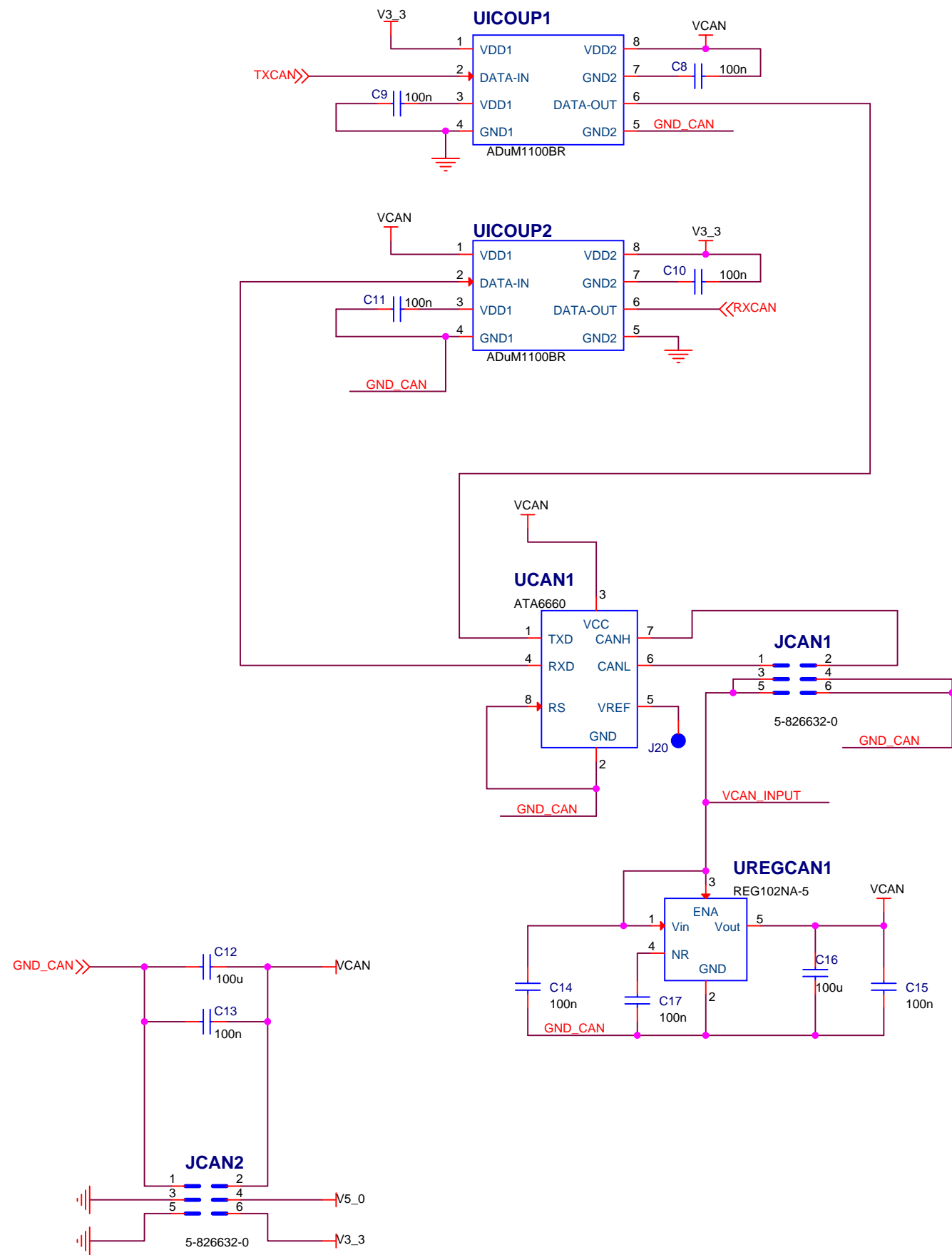


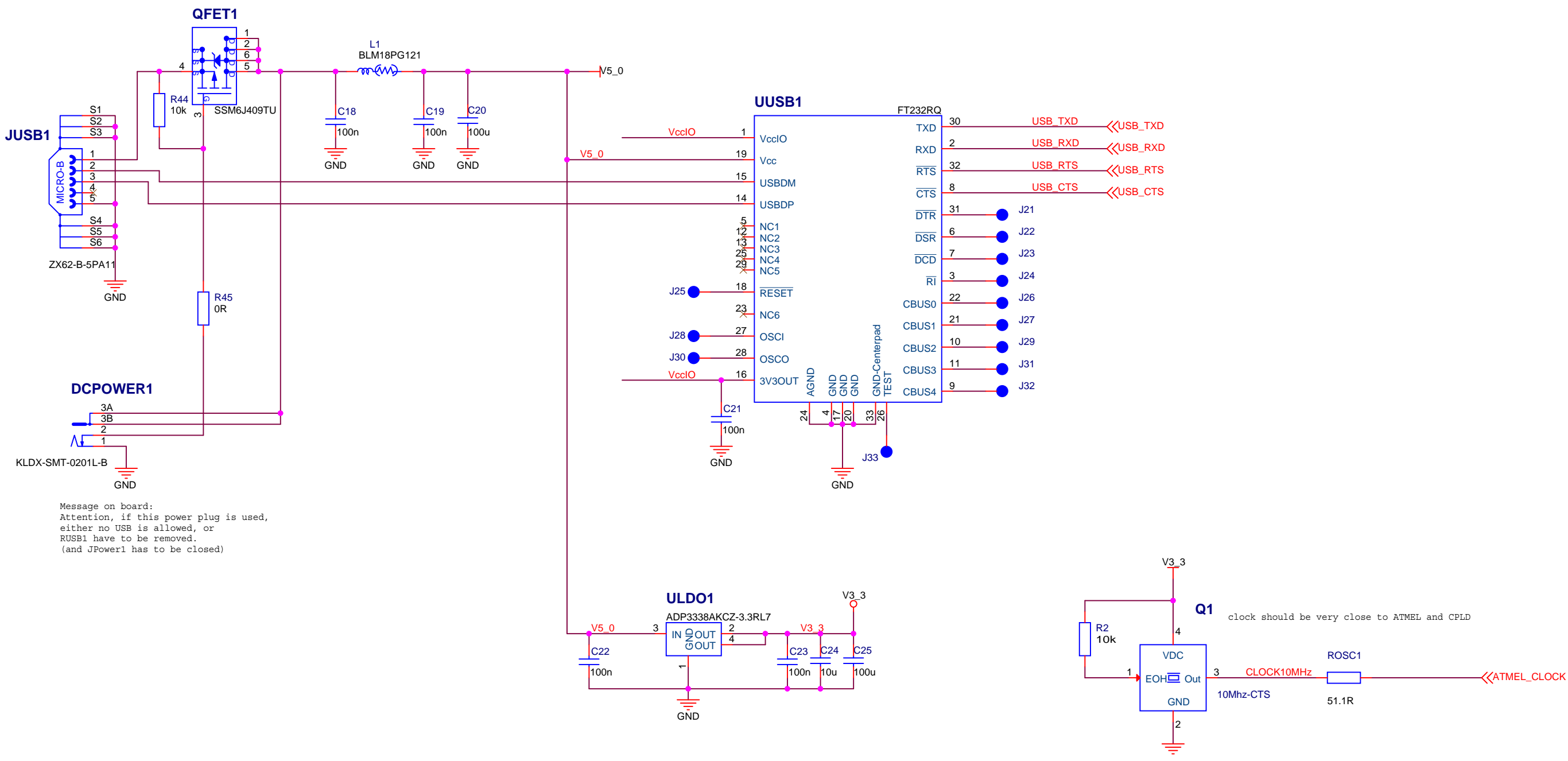
**GSIC** Gesellschaft für Schwerionenforschung mbH  
Planckstrasse 1  
D-64291 Darmstadt  
GERMANY  
www.gsi.de

**ATMEL**

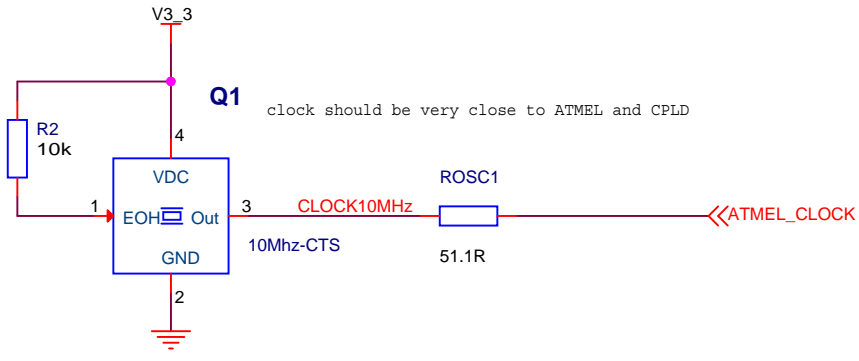
Design: K:\GSI\JOB\HADCON\HADCON2\HADCON2.DSN  
Modified: Tuesday, March 29, 2011  
Designer: <Designer>

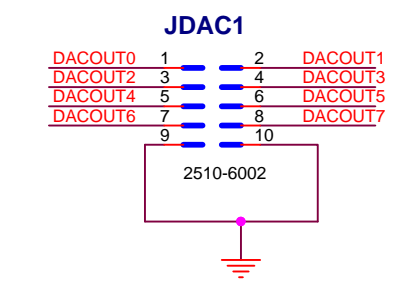
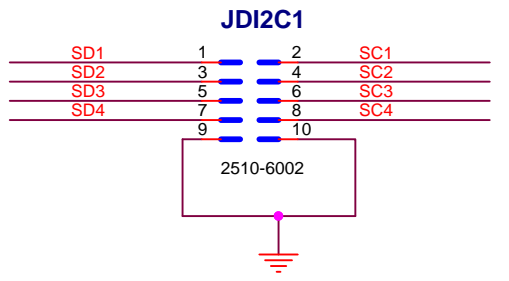
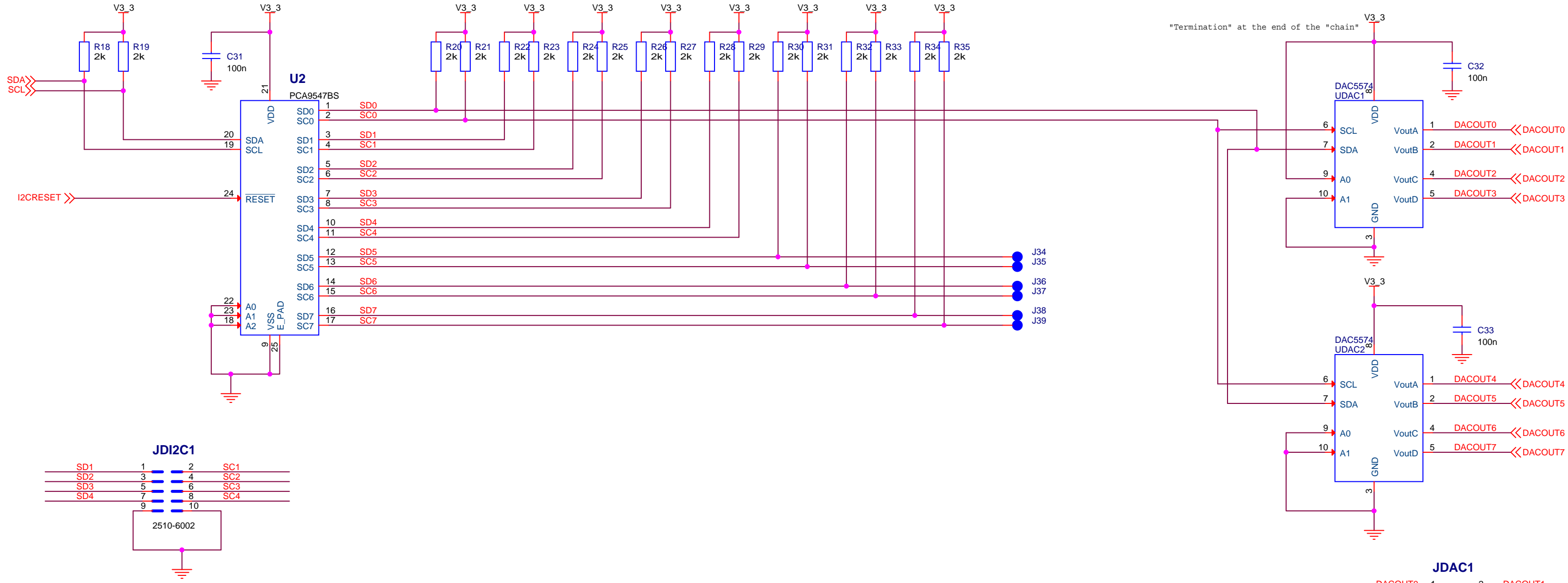
Size: A3  
Page: 1 / 5  
Layouter: <Layouter>





Message on board:  
 Attention, if this power plug is used,  
 either no USB is allowed, or  
 RUSB1 have to be removed.  
 (and JPower1 has to be closed)

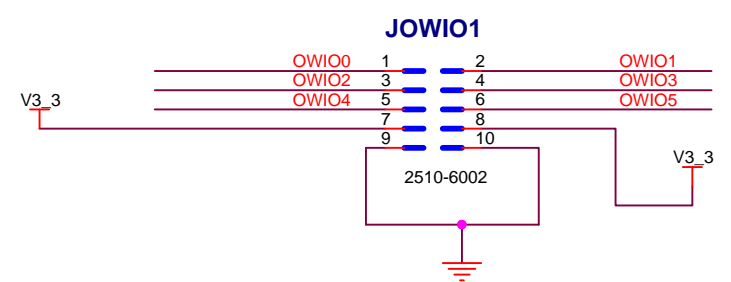
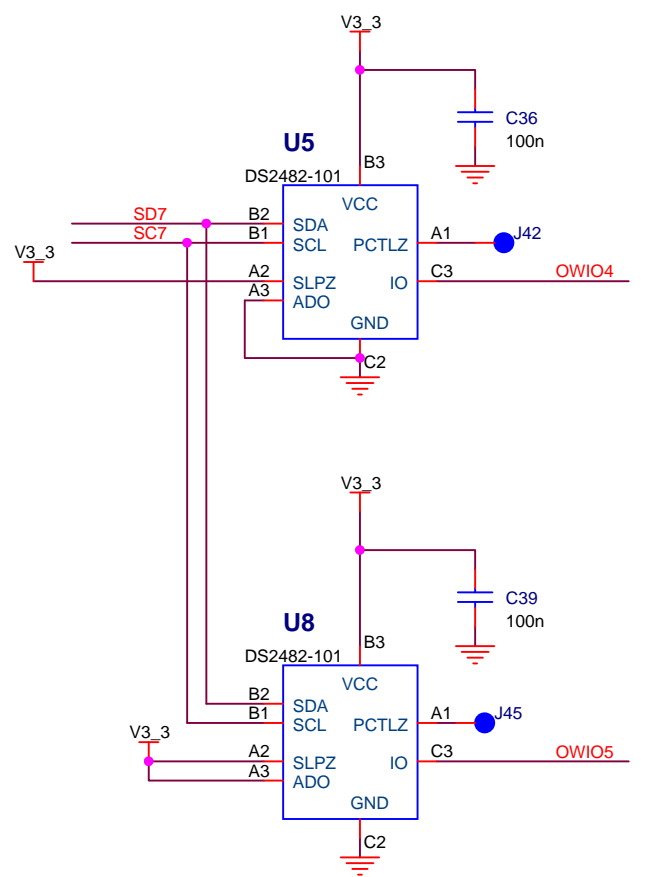
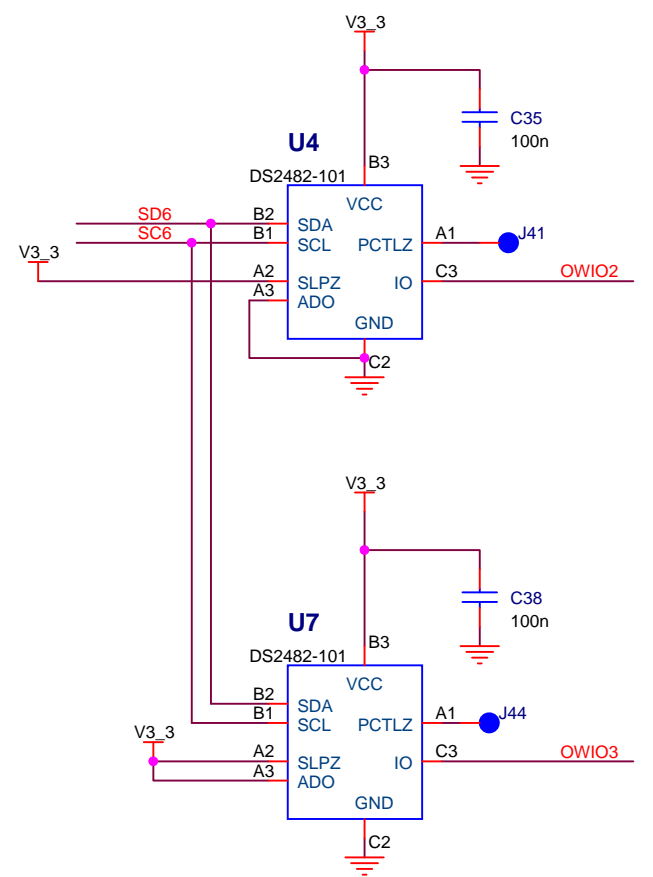
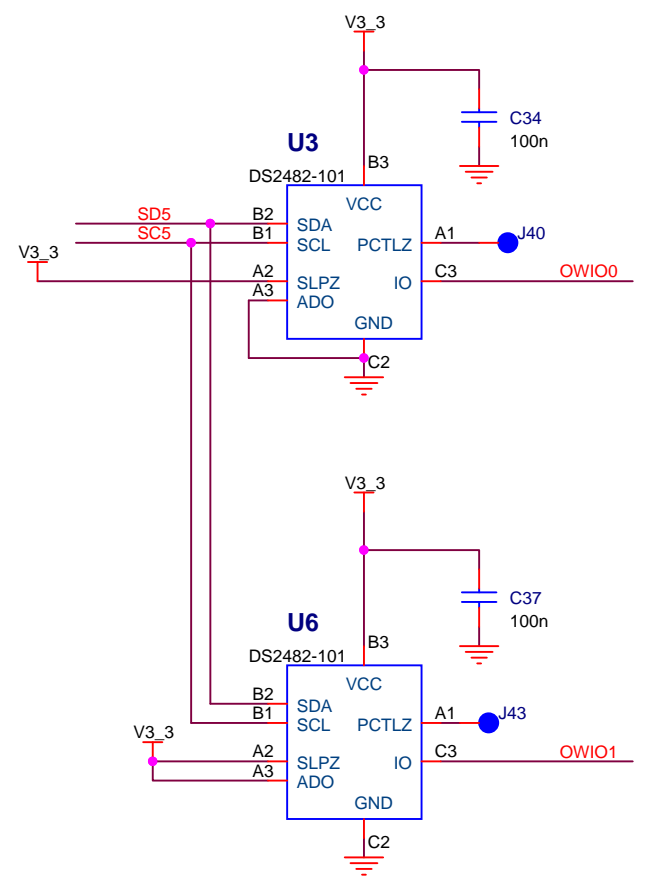




"Termination" at the end of the "chain"

"Termination" at the end of the "chain"

"Termination" at the end of the "chain"

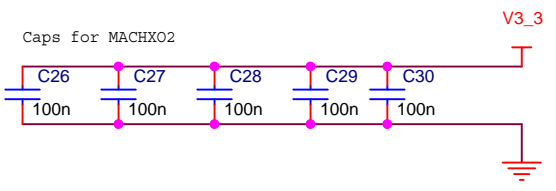
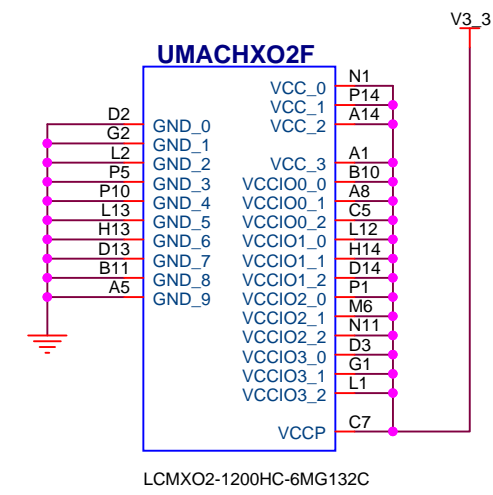
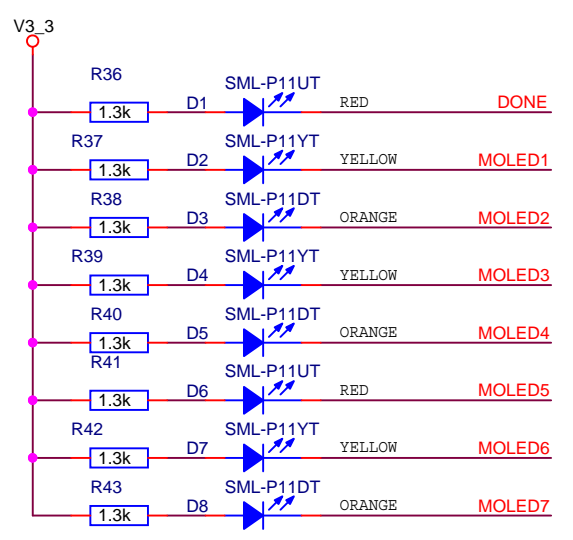
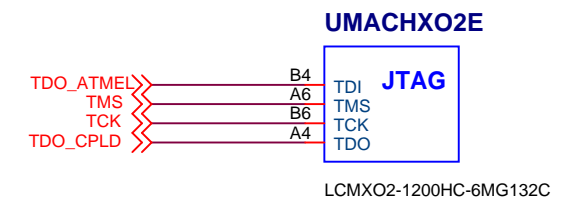
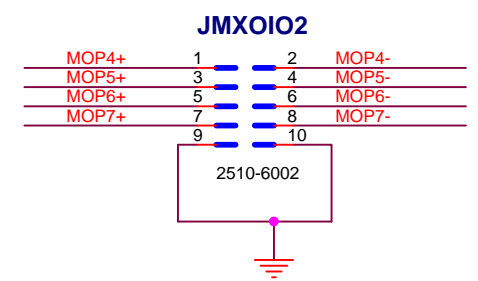
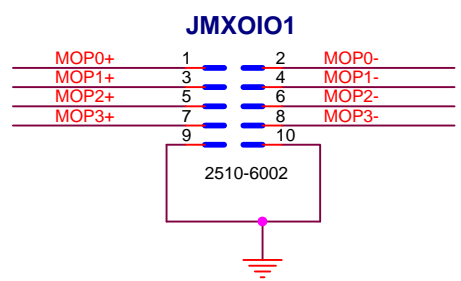
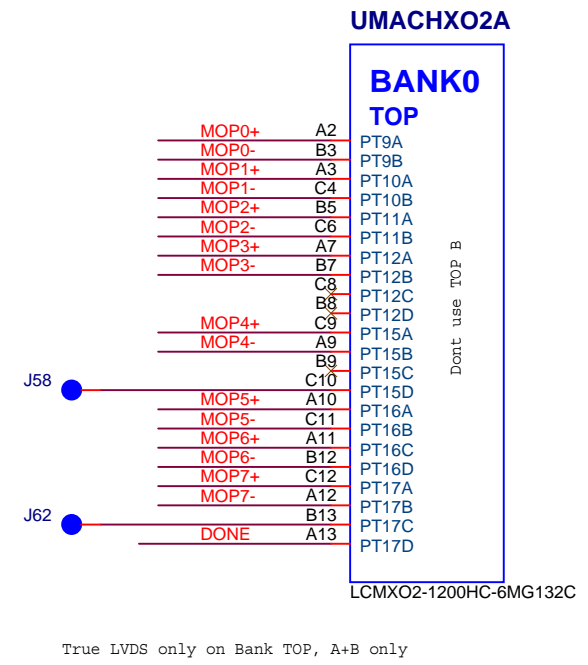
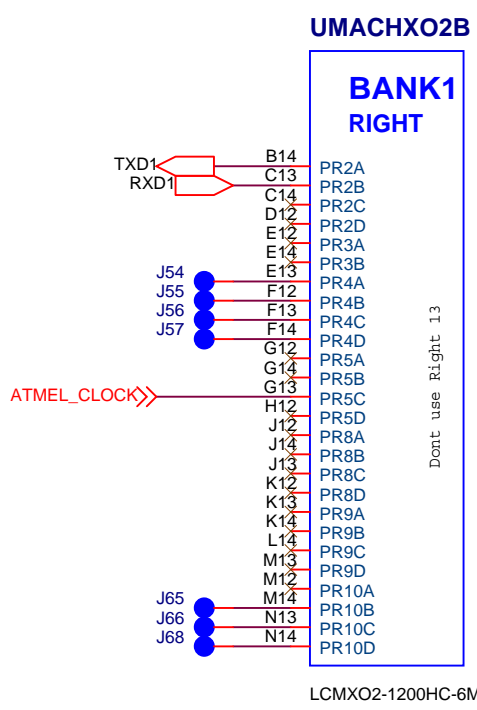
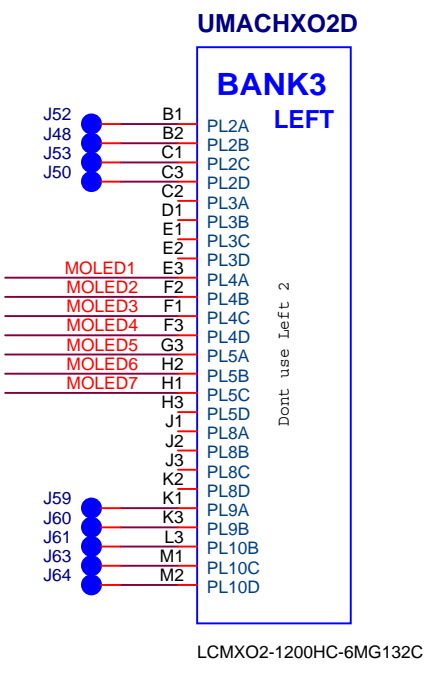
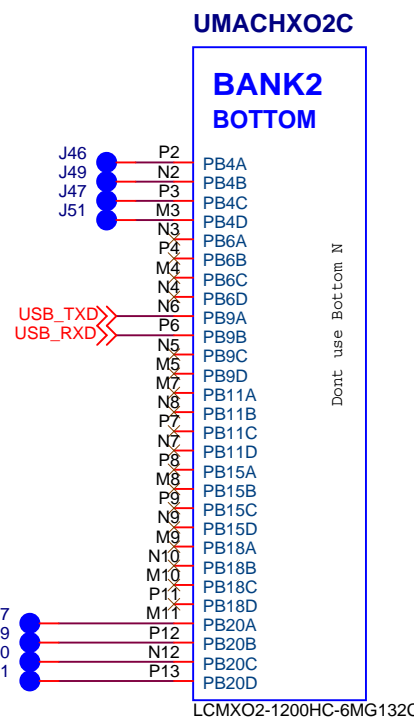


**GSI** Gesellschaft für Schwerionenforschung mbH  
 Planckstrasse 1  
 D-64291 Darmstadt  
 GERMANY  
 www.gsi.de

**DAC / I2C / OW**

Design: K:\GSI\JOB\HADCON\HADCON2\HADCON2.DSN  
 Modified: Wednesday, March 23, 2011  
 Designer: <Designer>

Size: A3  
 Page: 4 / 5  
 Layouter: <Layouter>




Gesellschaft für Schwerionenforschung mbH  
Planckstrasse 1  
D-64291 Darmstadt  
GERMANY  
www.gsi.de

## MACHXO2

Design: K:\GSI\JOB\HADCON\HADCON2\HADCON2.DSN  
Modified: Friday, March 25, 2011  
Designer: <Designer>

Size: A3  
Page: 5 / 5  
Layouter: <Layouter>