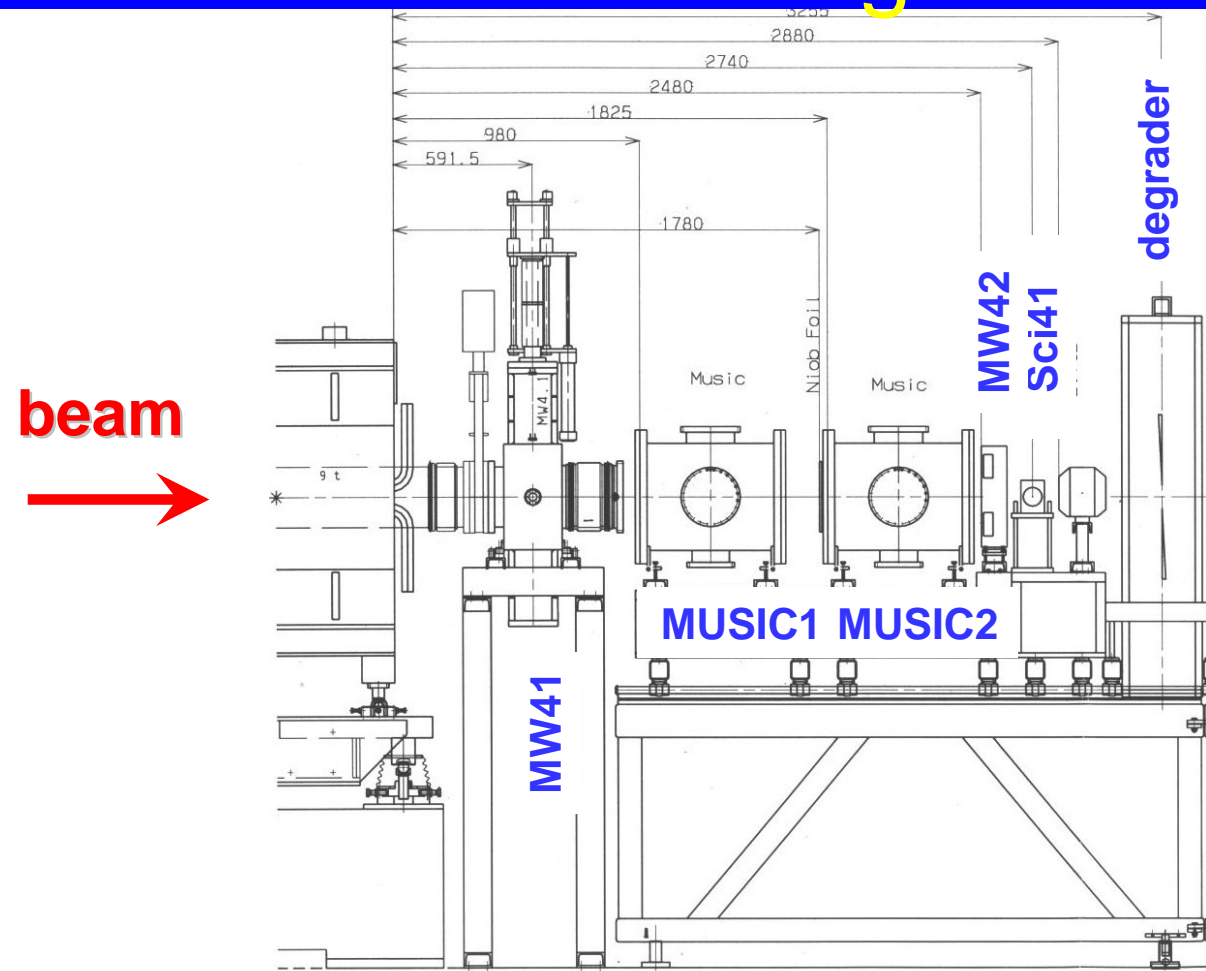
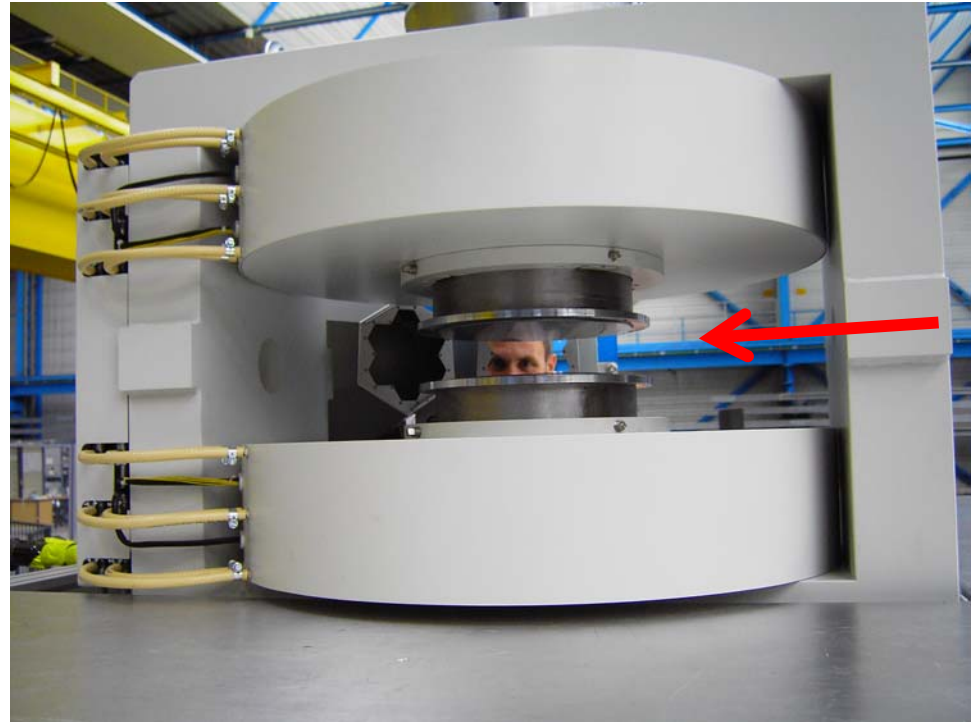
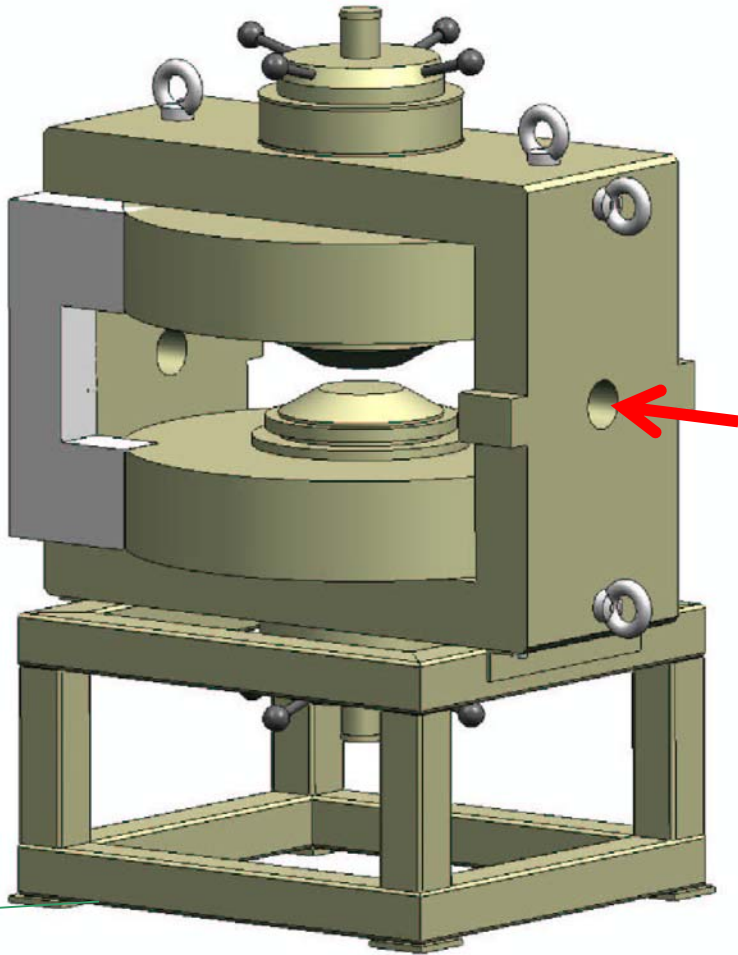


Status and Design of the Magnet+Cluster Holding Structure



The magnet for g-RISING

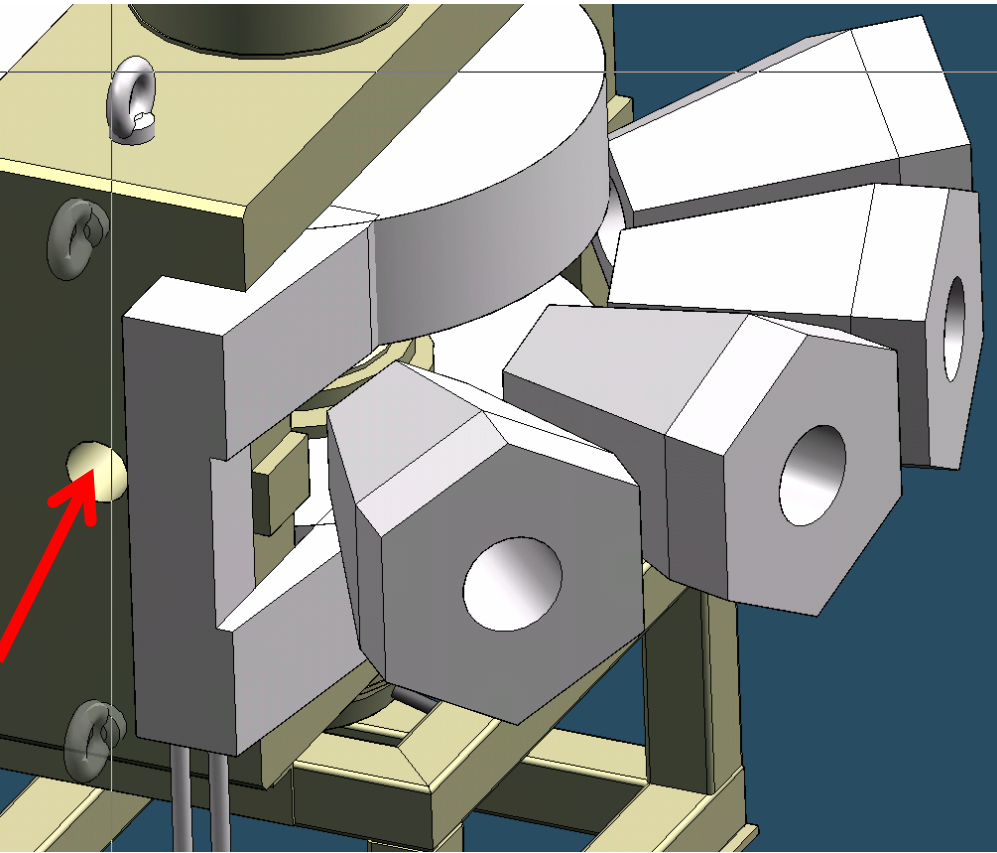


Pole gap = variable (5 – 15 cm)

Hole for beam access = 7 cm \varnothing

Coil diameter = 72 cm

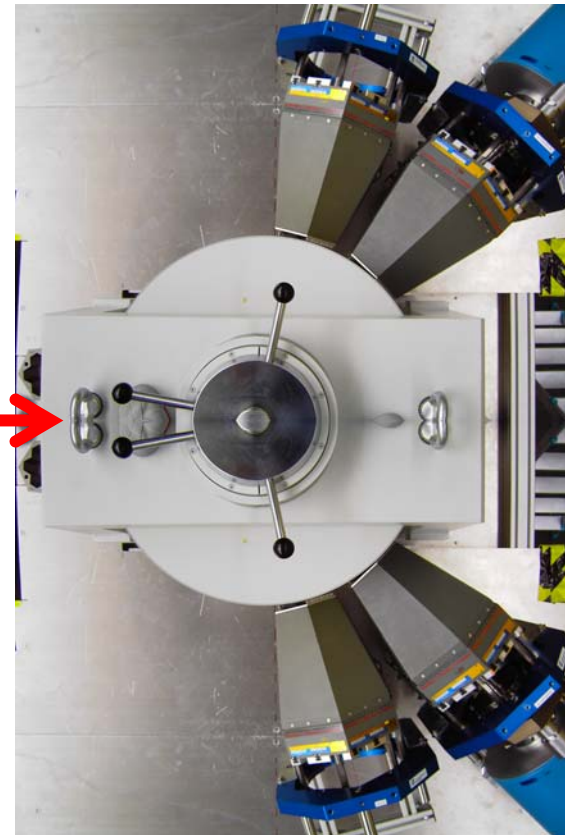
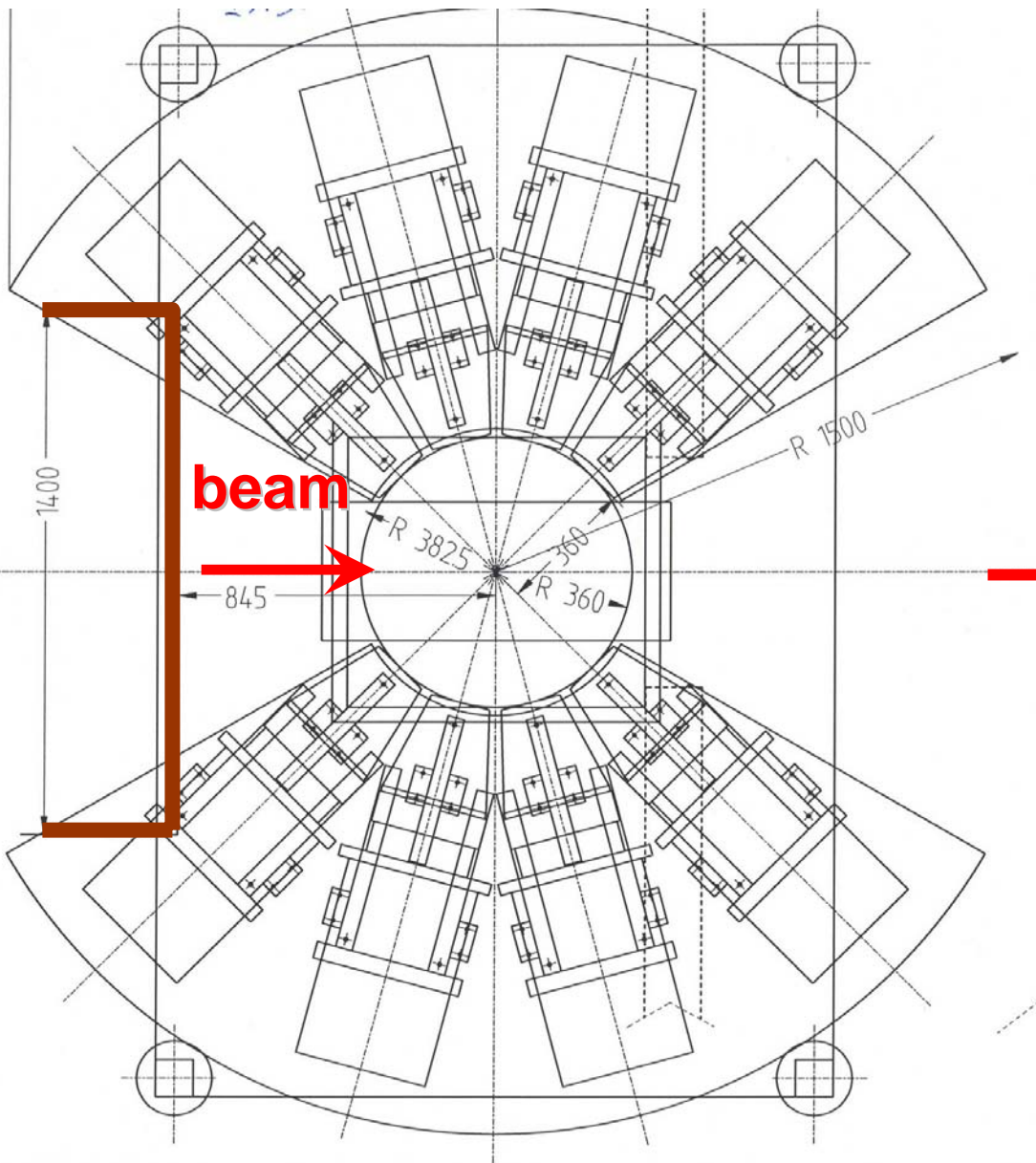
RISING CLUSTER Detectors (Ivan Kojouharov)



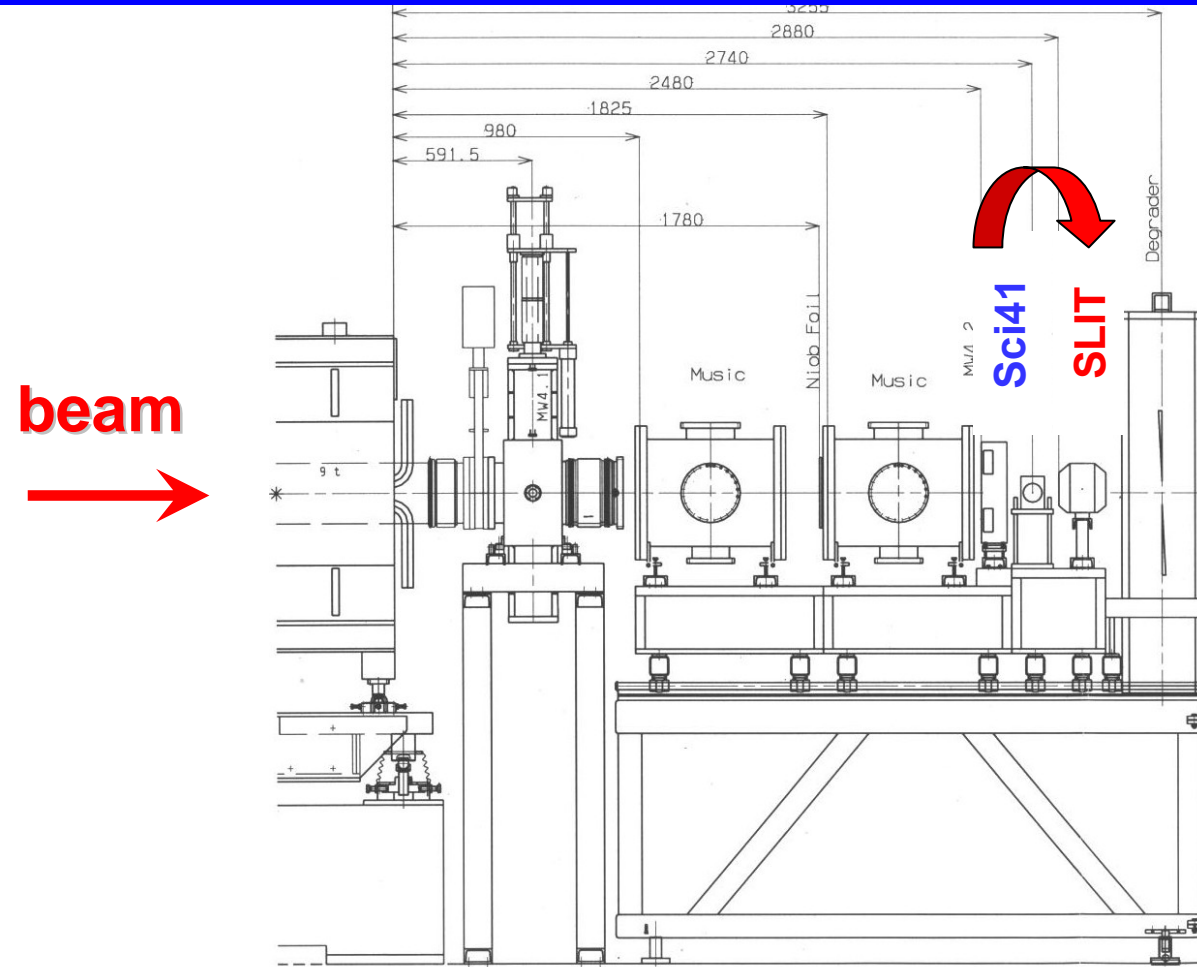
A ring of 8 detectors in horizontal plane

~37 cm from stopper

View from the top...



How to focus the beam on target ?



Focus on target position ?

Detector at / after target ?



TASKS

- *Detectors at/after target*
- *Mounting and testing of the magnet setup
at FRS → power supply : new EPROM*
- *Manpower and schedule*

