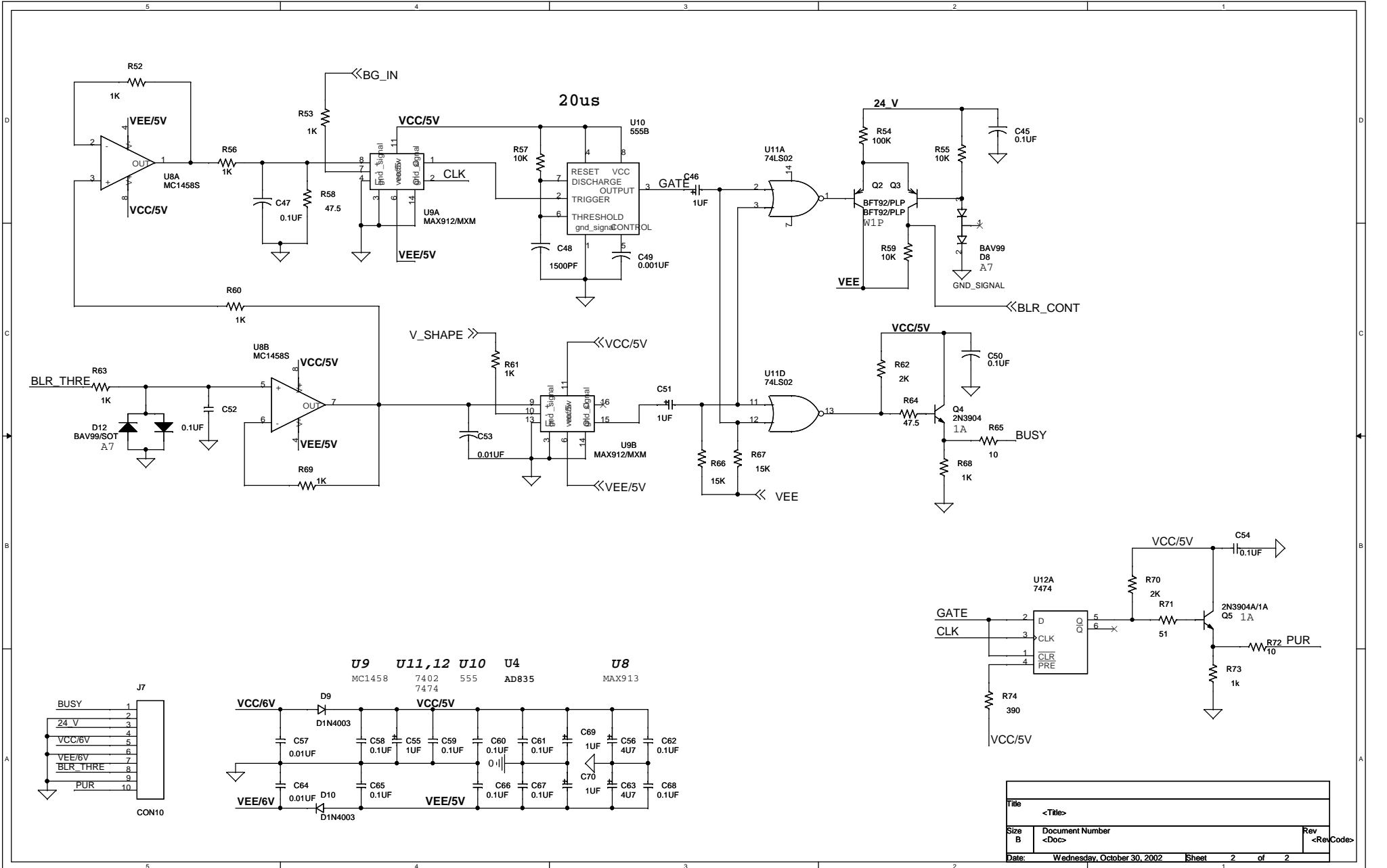


Title	SHAPING AMPLIFIER 3uS		
Size	Document Number	<RevCode>	Rev
C	<Doc>		
Date:	Wednesday, October 30, 2002	Sheet	1 of 2



Title		<Title>
Size	Document Number	Rev
B	<Doc>	<Rev Code>
Date:	Wednesday, October 30, 2002	Sheet 2 of 2